

X系列摆线针轮减速机 X SERIES CYCLOIDAL PIN-WHEEL REDUCTOR



X系列摆线针轮减速机 X Series Cycloid Pin Wheel Reductor

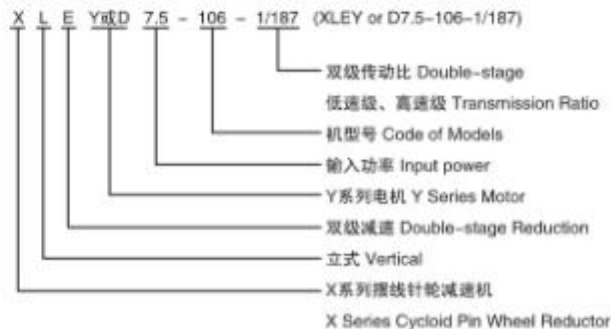
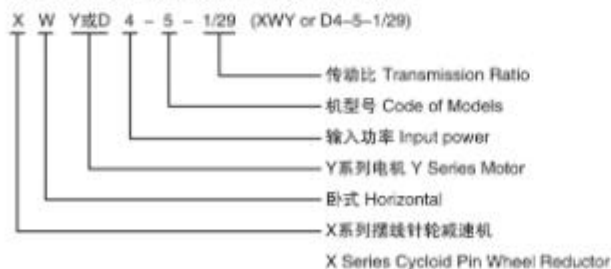
摆线针轮减速机的特点 Features of Cycloid Pin Wheel Reductor:

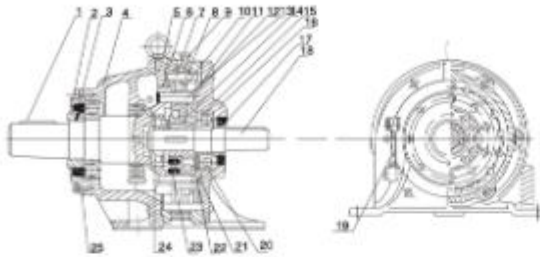
- 高度比和高效率。
High Ratio and High Efficiency.
- 单级减速, 就能达到1:87的减速比, 效率在90%以上, 如果采用多级减速, 减速比更大。
Single-stage reduction boosts the reduction ratio up to 1:87 with efficiency over 90% and reduction ratio will be getting higher, if multi-stage reduction is employed.
- 结构紧凑体积小。
Compact and Structure.
- 由于采用了行星传动原理, 输入轴与输出轴在同一轴心上, 使其机型获得尽可能小的尺寸。
Adopting the principle of planetary transmission that puts input and output shafts on same axis, the model can get the smallest size possible.
- 运转平稳噪声低。
Operating Smoothly with Low Noise.
- 摆线针齿啮合齿数较多, 重叠系数大以及具有机件平衡的机理, 使振动和噪声限制在最小程度。
There are a lot of teeth on cycloid pin wheels that help to control vibration and noise to minimum by the mechanism of high overlap coefficient and capability of equilibrating machine parts.
- 使用可靠、寿命长。
Dependable Durability and Long Life-span.
- 因主要零件是高碳铬钢经淬火处理(HRC58-62)且运转接触采用了滚动摩擦, 基本上无磨损, 所以经久耐用寿命长。
There is hardly any abrasion for high-carbon chromium steel-made main parts that are quenched (Hrc58-62) and employs sliding abrasion, so the machine enjoys high durability and long life-span.
- 设计合理, 维修方便, 容易分解安装, 最少零件个数以及简单的润滑。
Being reasonably devised, handy to maintain and easy to disassemble and mount with decreased quantity of parts and simple lubrication actions.

行星摆线针轮减速机型号及表示方法 Models and Expressions of Planetary Cycloid Pin Wheel Reductors:

- X-行星摆线针轮减速机 X-Planetary Cycloid Pin Wheel Reductor
- W-卧式 W-Horizontal
- L-立式 L-Vertical
- D或Y-Y系列电机 D or Y-Y Series Motor
- E-双级减速 E-Double-Stage Reduction

型号表示法 Representation for type



结构示意图 Structure Diagram


- | | |
|---------------------------|-------------------------------|
| 1. 输出轴 Output Shaft | 16. 法兰盖 Flange Dish |
| 2. 压盖 Gland | 17. 紧固环 Securing Ring |
| 3. 紧固环 Securing ring | 18. 输入轴 Input Shaft |
| 4. 机座 Base Frame | 19. 示油器 Oil Indicator |
| 5. 纸垫 Paper Mat | 20. 挡圈 Circlip |
| 6. 针齿壳 Pn Wheel Inclosure | 21. 孔用弹性挡圈 Circlip for Holes |
| 7. 针齿肖 Pn Wheel Bolt | 22. 挡圈 Retainer |
| 8. 针齿套 Pn Wheel Housing | 23. 挡圈 Retainer |
| 9. 透气帽 Ventilation Cap | 24. 轴用弹性挡圈 Circlip for Shafts |
| 10. 间隔环 Spacer Ring | 25. 轴用弹性挡圈 Circlip for Shafts |
| 11. 肖轴 Shaft Pivot | |
| 12. 肖套 Shaft Housing | |
| 13. 纸垫 Paper Mat | |
| 14. 摆线轮 Cycloid Wheel | |
| 15. 偏心套 Eccentric Housing | |

型号结构示意图 Model Structure Diagram

1. 本机为定转矩设计；表3、表4已有各机型输出轴许用扭矩。选用时，实际工作转矩 \leq 本机额定转矩，最大瞬时负荷或启动负荷 \leq 本机额定负荷的160%。
Constant torque design is used in this model; in Table 3 and Table 4 allowed torques of output shaft for all models are all marked out. While choosing among them, actual operating torque shall be equal to or less than rating torque of the model and maximum instant load or startup load shall be equal to or less than 160% of rating load for the model.
 2. 如果输入转速是变化的，应根据使用条件，若要求功率一定，按最低转速需功率选取，若要求转矩一定，则按高转速时所需的功率选取。
If input rotation speed is variable, it should be chosen based on required operation conditions. If required power is decided, the minimum rotation speed power shall be chosen; if required torque is decided then the maximum rotation speed power shall be chosen.
- 注意：本机的温升不得超过60℃（即工作温度减去环境温度等于温升）
Notes: the temperature rise of machine body shall be lower than 60℃ (i.e. Subtracting room)

工况系数K Coefficient of Operating Conditions

原动机种类 Type of Prime	工作条件 Operating conditions	负荷性质 Property of Load		
		稳定 Smooth	中等冲击 Medium Impact	大的冲击 Huge Impact
电动机 Electromotor	断续, 3小时/天 Intermittent, 3 hr per day	0.6	1.0	1.35
	8-10小时/天 8-10 hr per day	1.0	1.2	1.5
	24小时/天 24 hr per day	1.2	1.35	1.6

注：原动机为多缸发动机时，根据表中的工作条件与负荷性质，可选取 $K=1.0-1.7$ ；原动机为单缸发动机时 $K=1.2-1.8$ 。
Notes: While prime mover is a motor with several cylinders, $K=1.0-1.7$ shall be chosen based on operating conditions and $K=1.2-1.8$ for single-cylinder motors.

各系列单级机型对照表 Comparison Table of All Single-stage Models

-表1- (Table 1)

系列 Series	机型 Model								
X	X2	X3	X4	X5	X6	X7	X8	X9	X10
BJ	BJ2	BJ3	BJ4	BJ5	BJ6	BJ7	BJ8	BJ9	BJ10
B	B1	B2	B3	B4	B5	B6	B7	B8	B9
一机部标准B Standard B of First Machinery Industry Department	B15	B18	B22	B27	B33	B39	B45		

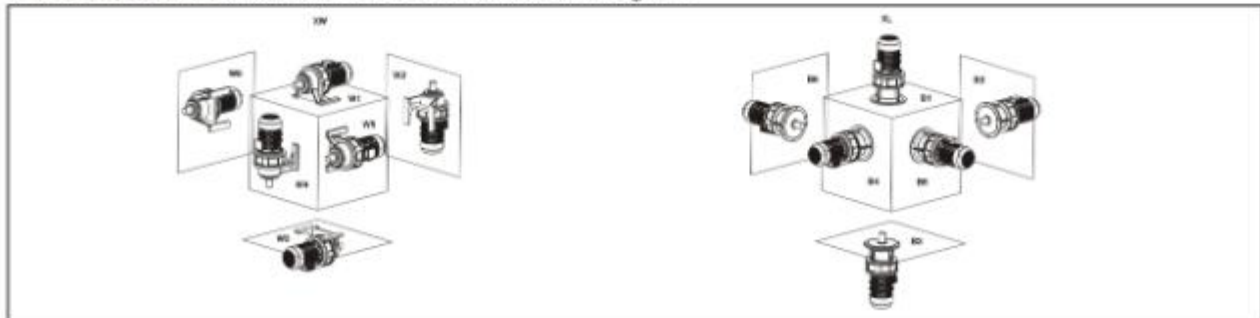
各系列双级机型对照表

-表2- (Table 2)

Comparison Table of All Double-stage Models

系列 Series	机型 Model							
X	X42	X53	X63	X74	X84	X85	X95	X106
BJ	BJ42	BJ53	BJ63	BJ74	BJ84	BJ85	BJ95	BJ106
B	B31	B41	B52	B53	B63			
一机部标准B Standard B of First Machinery Industry Department	B2215	B2715	B3316	B3322	B3922	B4527		

配置动力源 Power Source Equipped	代号 Code	配置动力源 Power Source Equipped	代号 Code
Y系列电机 Y Series Motor	Y	调速电机 Speed-regulating Motor	T
防爆型电机 Explosion-proof Motor	B	油马达 Oil Motor	M
直流电机 Continuous Current Motor	Z	制动电机 Brake Motor	X

X系列安装方位图 X series installation direction diagram


X系列传动能力表/X series drive capacity table

机型号 Model	P1	参数代号 Parameter code	精确传动比/Exact ratio									
			9	11	17	23	29	35	43	59	71	87
X2	0.25kW 4P	T2(N.m)	14	17	27	36	46	55	68	93	112	138
		FB	14.08	11.50	7.44	5.50	4.36	3.62	2.94	2.14	1.78	1.45
	0.37kW 4P	T2(N.m)	20	25	39	52	66	79	97	133	162	191
		FB	9.80	8.00	5.13	3.85	3.03	2.53	2.06	1.50	1.23	1.05
	0.55kW 4P	T2(N.m)	30	37	57	78	97	117	145	199	239	
		FB	6.67	5.39	3.48	2.58	2.06	1.71	1.38	1.01	0.84	
	0.75kW 4P	T2(N.m)	41	51	78	106	133	161	198			
		FB	4.88	3.96	2.55	1.89	1.50	1.24	1.01			
	1.1kW 4P	T2(N.m)	61	74	114	155	195	235				
		FB	3.31	2.70	1.75	1.29	1.03	0.85				
	1.5kW 4P	T2(N.m)	83	100	156	211						
		FB	2.41	2.00	1.28	0.95						
	0.18kW 6P	T2(N.m)	15	19	29	40	50	60	74	101	122	150
		FB	12.93	10.58	6.84	5.06	4.01	3.32	2.71	1.97	1.64	1.34
	0.25kW 6P	T2(N.m)	21	26	38	51	65	78	96	130	168	194
		FB	9.31	7.62	5.26	3.90	3.10	2.56	2.09	1.54	1.19	1.03
	0.37kW 6P	T2(N.m)	30	36	56	76	96	115	141	200	250	
		FB	6.67	5.56	3.56	2.63	2.08	1.74	1.42	1.00	0.80	
	0.55kW 6P	T2(N.m)	44	54	84	113	142	172	211			
		FB	4.55	3.70	2.39	1.77	1.41	1.16	0.95			
0.75kW 6P	T2(N.m)	60	74	114	154	194	234					
	FB	3.31	2.71	1.75	1.30	1.03	0.85					
1.1kW 6P	T2(N.m)	89	108	167	226							
	FB	2.26	1.85	1.20	0.88							
4P n1=1450rpm	n2 (rpm)	161	132	85.3	63.0	50.0	41.4	33.7	24.6	20.4	16.7	
6P n1=960rpm	n2 (rpm)	107	87.3	56.5	41.7	33.1	27.4	22.3	16.3	13.5	11.0	

*X2型减速机许用扭矩TN2=200N.m. *X2 type speed reducer allowable torque TN2=200N.m

机型号 Model	P1	参数代号 Parameter code	精确传动比/Exact ratio									
			9	11	17	23	29	35	43	59	71	87
X3	0.55kW 4P	T2(N.m)			57	78	97	117	145	199	239	302
		FB			4.88	3.61	2.88	2.39	1.93	1.41	1.17	0.93
	0.75kW 4P	T2(N.m)			78	106	133	161	198	271	326	
		FB			3.58	2.64	2.11	1.74	1.41	1.03	0.86	
	1.1kW 4P	T2(N.m)	61	74	114	155	195	235	289			
		FB	4.59	3.78	2.46	1.81	1.44	1.19	0.97			
	1.5kW 4P	T2(N.m)	83	100	156	211	266	322				
		FB	3.38	2.80	1.79	1.33	1.05	0.87				
	2.2kW 4P	T2(N.m)	121	148	229	310	391					
		FB	2.31	1.89	1.22	0.90	0.72					
	3kW 4P	T2(N.m)	165	202	312							
		FB	1.70	1.39	0.90							
	0.37kW 6P	T2(N.m)			56	76	96	115	141	200	250	307
		FB			4.98	3.68	2.92	2.43	1.99	1.40	1.12	0.91
	0.55kW 6P	T2(N.m)			84	113	142	172	211	280		
		FB			3.35	2.48	1.97	1.63	1.33	1.00		
	0.75kW 6P	T2(N.m)		74	114	165	194	234	288			
		FB		3.79	2.46	1.70	1.44	1.20	0.97			
	1.1kW 6P	T2(N.m)	88	108	166	225	284	343				
		FB	3.18	2.59	1.69	1.24	0.99	0.82				
1.5kW 6P	T2(N.m)	120	147	227	330							
	FB	2.33	1.90	1.23	0.85							
2.2kW 6P	T2(N.m)	176	215	333								
	FB	1.59	1.30	0.84								
4P n1=1450rpm	n2 (rpm)	161	132	85.3	63.0	50.0	41.4	33.7	24.6	20.4	16.7	
6P n1=960rpm	n2 (rpm)	107	87.3	56.5	41.7	33.1	27.4	22.3	16.3	13.5	11.0	

*X3型减速机许用扭矩TN2=280N.m. *X3 type speed reducer allowable torque TN2=280N.m

注 1. 表中P1表示配置电机额定功率, n1表示减速机输入转速, n2表示减速机输出转速, T2表示减速机输出扭矩, FB表示减速机使用系数。
 Note 1. P1 in the table denotes rated power of motor is furnished, n1 denotes input revolution of speed reducer, n2 denotes its output revolution, T2 denotes its output torque, and FB denotes its performance coefficient.

机型号 Model	P1	参数代号 Parameter code	精确传动比/Exact ratio										
			9	11	17	23	29	35	43	59	71	87	
X4	0.55kW 4P	T2 (N.m)						117	145	199	239	302	
		FB						4.27	3.45	2.51	2.09	1.66	
	0.75kW 4P	T2 (N.m)				106	133			198	271	326	400
		FB				4.72	3.76	3.11	2.53	1.85	1.53	1.25	
	1.1kW 4P	T2 (N.m)			114	155	195	235	289	397	478	585	
		FB			4.39	3.23	2.56	2.13	1.73	1.26	1.05	0.85	
	1.5kW 4P	T2 (N.m)			156	211	266	322	396	543			
		FB			3.21	2.37	1.88	1.55	1.26	0.92			
	2.2kW 4P	T2 (N.m)	121	148	229	310	391	472	580				
		FB	4.13	3.38	2.18	1.61	1.28	1.06	0.86				
	3kW 4P	T2 (N.m)	165	202	312	423	533						
		FB	3.03	2.48	1.60	1.18	0.94						
	4kW 4P	T2 (N.m)	220	269	416	564							
		FB	2.27	1.86	1.20	0.89							
	0.37kW 6P	T2 (N.m)						115	141	200	250	307	
		FB						4.35	3.55	2.50	2.00	1.63	
	0.55kW 6P	T2 (N.m)				113	142	172	211	280	370	457	
		FB				4.42	3.52	2.91	2.37	1.79	1.35	1.09	
	0.75kW 6P	T2 (N.m)			114	165	194	250	288	395	475	582	
		FB			4.39	3.03	2.58	2.00	1.74	1.27	1.05	0.86	
	1.1kW 6P	T2 (N.m)		108	166	225	284	343	421	578			
		FB		4.63	3.01	2.22	1.76	1.46	1.19	0.87			
	1.5kW 6P	T2 (N.m)	120	147	227	330	388	469	576				
		FB	4.17	3.40	2.20	1.52	1.29	1.07	0.87				
2.2kW 6P	T2 (N.m)	176	215	333	450	568							
	FB	2.84	2.33	1.50	1.11	0.88							
4P n1=1450rpm	n2 (rpm)	161	132	85.3	63.0	50.0	41.4	33.7	24.6	20.4	16.7		
6P n1=960rpm	n2 (rpm)	107	87.3	56.5	41.7	33.1	27.4	22.3	16.3	13.5	11.0		

*X4型减速器许用扭矩TN2=500N.m. *X4 type speed reducer allowable torque TN2=500N.m

机型号 Model	P1	参数代号 Parameter code	精确传动比/Exact ratio									
			9	11	17	23	29	35	43	59	71	87
X5	1.1kW 4P	T2 (N.m)						235	289	397	478	585
		FB						4.26	3.46	2.52	2.09	1.71
	1.5kW 4P	T2 (N.m)				211	266	322	396	543	653	800
		FB				4.74	3.76	3.11	2.53	1.84	1.53	1.25
	2.2kW 4P	T2 (N.m)			229	310	391	472	580	796	958	1174
		FB			4.37	3.23	2.56	2.12	1.72	1.26	1.04	0.85
	3kW 4P	T2 (N.m)	165	202	312	423	533	644	792	1086		
		FB	6.06	4.95	3.21	2.36	1.88	1.55	1.26	0.92		
	4kW 4P	T2 (N.m)	220	269	416	564	712	859	1055			
		FB	4.55	3.72	2.40	1.77	1.40	1.16	0.95			
	5.5kW 4P	T2 (N.m)	304.00	370.00	574.00	778	979	1181				
		FB	3.29	2.70	1.74	1.29	1.02	0.85				
	7.5kW 4P	T2 (N.m)	414	506	783	1059						
		FB	2.42	1.98	1.28	0.94						
	0.75kW 6P	T2 (N.m)						250	288	395	475	582
		FB						4.00	3.47	2.53	2.11	1.72
	1.1kW 6P	T2 (N.m)				225	284	343	421	578	695	852
		FB				4.44	3.52	2.92	2.36	1.73	1.44	1.17
	1.5kW 6P	T2 (N.m)	120	147	227	330	388	469	576	790	951	1165
		FB	8.33	6.80	4.41	3.03	2.58	2.13	1.74	1.27	1.06	0.86
	2.2kW 6P	T2 (N.m)	176	215	333	450	568	686	842	1156		
		FB	5.68	4.65	3.00	2.22	1.76	1.46	1.19	0.87		
	3kW 6P	T2 (N.m)	241	295	455	616	777	938	1152			
		FB	4.15	3.39	2.20	1.62	1.29	1.07	0.87			
4kW 6P	T2 (N.m)	322	393	608	823	1038	1253					
	FB	3.11	2.54	1.64	1.22	0.96	0.80					
5.5kW 6P	T2 (N.m)	443	541	836	1131							
	FB	2.26	1.85	1.20	0.88							
4P n1=1450rpm	n2 (rpm)	161	132	85.3	63.0	50.0	41.4	33.7	24.6	20.4	16.7	
6P n1=960rpm	n2 (rpm)	107	87.3	56.5	41.7	33.1	27.4	22.3	16.3	13.5	11.0	

*X5型减速器许用扭矩TN2=1000N.m. *X5 type speed reducer allowable torque TN2=1000N.m

注 1、表中P1表示配置电机额定功率, n1表示减速器输入转速, n2表示减速器输出转速, T2表示减速器输出扭矩, FB表示减速器使用系数。
 Note 1. P1 in the table denotes rated power of motor is furnished, n1 denotes input revolution of speed reducer, n2 denotes its output revolution, T2 denotes its output torque, and FB denotes its performance coefficient.

机型号 Model	P1	参数代号 Parameter code	精确传动比/Exact ratio									
			9	11	17	23	29	35	43	59	71	87
X6	2.2kW 4P	T2(N.m)						472	580	796	958	1174
		FB						4.24	3.45	2.51	2.09	1.70
	3kW 4P	T2(N.m)				423	533	644	792	1086	1307	1602
		FB				4.73	3.75	3.11	2.53	1.84	1.53	1.25
	4kW 4P	T2(N.m)			416	564	712	859	1055	1450	1743	2136
		FB			4.81	3.55	2.81	2.33	1.90	1.38	1.15	0.94
	5.5kW 4P	T2(N.m)			574	776	979	1181	1451	1992	2392	
		FB			3.48	2.58	2.04	1.69	1.38	1.00	0.84	
	7.5kW 4P	T2(N.m)	414	506	783	1059	1335	1612	1980			
		FB	4.83	3.95	2.55	1.89	1.50	1.24	1.01			
	11kW 4P	T2(N.m)	607	743	1148	1553	1958	2346				
		FB	3.29	2.69	1.74	1.29	1.02	0.85				
	1.5kW 6P	T2(N.m)						469	576	790	951	1165
		FB						4.26	3.47	2.53	2.10	1.72
	2.2kW 6P	T2(N.m)				450	568	686	842	1156	1391	1705
		FB				4.44	3.52	2.92	2.38	1.73	1.44	1.17
	3kW 6P	T2(N.m)			455	616	777	938	1152	1581	1902	2311
		FB			4.40	3.25	2.67	2.13	1.74	1.27	1.06	0.87
	4kW 6P	T2(N.m)			608	823	1038	1253	1539	2112		
		FB			3.29	2.43	1.93	1.60	1.30	0.95		
5.5kW 6P	T2(N.m)	443	541	836	1131	1426	1722	2115				
	FB	4.51	3.70	2.39	1.77	1.40	1.16	0.95				
7.5kW 6P	T2(N.m)	604	738	1140	1543	1945	2348					
	FB	3.31	2.71	1.75	1.30	1.03	0.85					
4P n1=1450rpm	n2 (rpm)	161	132	85.3	63.0	50.0	41.4	33.7	24.6	20.4	16.7	
6P n1=960rpm	n2 (rpm)	107	87.3	56.5	41.7	33.1	27.4	22.3	16.3	13.5	11.0	

*X6型减速机许用扭矩TN2=2000N.m。 *X6 type speed reducer allowable torque TN2=2000N.m

机型号 Model	P1	参数代号 Parameter code	精确传动比/Exact ratio									
			9	11	17	23	29	35	43	59	71	87
X7	2.2kW 4P	T2(N.m)							580	796	958	1174
		FB							4.66	3.39	2.82	2.30
	3kW 4P	T2(N.m)						644	792	1086	1307	1602
		FB						4.19	3.41	2.49	2.07	1.69
	4kW 4P	T2(N.m)				564	712	859	1055	1450	1743	2136
		FB				4.79	3.79	3.14	2.56	1.86	1.55	1.26
	5.5kW 4P	T2(N.m)			574	776	979	1181	1451	1992	2392	2925
		FB			4.70	3.48	2.76	2.29	1.86	1.36	1.13	0.92
	7.5kW 4P	T2(N.m)	414	506	783	1059	1335	1612	1980	2725	3280	
		FB	6.52	5.34	3.45	2.55	2.02	1.67	1.36	0.99	0.82	
	11kW 4P	T2(N.m)	607	743	1148	1553	1958	2346	2898			
		FB	4.45	3.63	2.35	1.74	1.38	1.15	0.93			
	15kW 4P	T2(N.m)	829	1013	1556	2118	2671	3223				
		FB	3.26	2.67	1.74	1.27	1.01	0.84				
	18.5kW 4P	T2(N.m)	1022	1249	1931	2612	3294					
		FB	2.64	2.16	1.40	1.03	0.82					
	1.5kW 6P	T2(N.m)							576	790	951	1165
		FB							4.69	3.42	2.84	2.32
	2.2kW 6P	T2(N.m)					568	686	842	1156	1391	1705
		FB					4.75	3.94	3.21	2.34	1.94	1.58
3kW 6P	T2(N.m)				616	777	938	1152	1581	1902	2311	
	FB				4.38	3.47	2.86	2.34	1.71	1.42	1.17	
4kW 6P	T2(N.m)			608	823	1038	1253	1539	2112	2543	3116	
	FB			4.44	3.28	2.60	2.15	1.75	1.28	1.06	0.87	
5.5kW 6P	T2(N.m)	443	541	836	1131	1426	1722	2115	2905			
	FB	6.09	4.99	3.23	2.39	1.89	1.57	1.28	0.93			
7.5kW 6P	T2(N.m)	604	738	1140	1543	1945	2348	2861				
	FB	4.47	3.66	2.37	1.75	1.39	1.15	0.94				
11kW 6P	T2(N.m)	855	1082	1672	2263	2853						
	FB	3.16	2.50	1.61	1.19	0.95						
4P n1=1450rpm	n2 (rpm)	161	132	85.3	63.0	50.0	41.4	33.7	24.6	20.4	16.7	
6P n1=960rpm	n2 (rpm)	107	87.3	56.5	41.7	33.1	27.4	22.3	16.3	13.5	11.0	

*X7型减速机许用扭矩TN2=2700N.m。 *X7 type speed reducer allowable torque TN2=2700N.m

注 1. 表中P1表示配置电机额定功率, n1表示减速机输入转速, n2表示减速机输出转速, T2表示减速机输出扭矩, FB表示减速机使用系数。
 Note 1. P1 in the table denotes rated power of motor is furnished, n1 denotes input revolution of speed reducer, n2 denotes its output revolution, T2 denotes its output torque, and FB denotes its performance coefficient.

机型号 Model	P1	参数代号 Parameter code	精确传动比/Exact ratio									
			9	11	17	23	29	35	43	59	71	87
X8	5.5kW 4P	T2 (N.m)					979	1181	1451	1992	2392	2925
		FB					4.60	3.81	3.10	2.26	1.88	1.54
	7.5kW 4P	T2 (N.m)				1059	1336	1612	1980	2725	3280	4019
		FB				4.25	3.37	2.79	2.27	1.65	1.37	1.12
	11kW 4P	T2 (N.m)			1148	1553	1958	2346	2898	3976	4785	
		FB			3.92	2.90	2.30	1.92	1.55	1.13	0.94	
	15kW 4P	T2 (N.m)		1013	1556	2118	2671	3223	3960	5428		
		FB		4.44	2.89	2.12	1.68	1.40	1.14	0.83		
	18.5kW 4P	T2 (N.m)	1022	1249	1931	2612	3294	3976	4880			
		FB	4.40	3.60	2.33	1.72	1.37	1.13	0.92			
	22kW 4P	T2 (N.m)	1215	1485	2295	3105	3915	4725				
		FB	3.70	3.03	1.96	1.45	1.15	0.95				
	30kW 4P	T2 (N.m)	1656	2024	3128	4232	5336					
		FB	2.72	2.22	1.44	1.06	0.84					
		T2 (N.m)						938	1152	1581	1902	2311
		FB						4.80	3.91	2.85	2.37	1.95
	4kW 6P	T2 (N.m)					1038	1253	1539	2112	2543	3116
		FB					4.34	3.59	2.92	2.13	1.77	1.44
	5.5kW 6P	T2 (N.m)				1131	1426	1722	2115	2905	3496	4284
		FB				3.98	3.16	2.61	2.13	1.55	1.29	1.05
	7.5kW 6P	T2 (N.m)			1140	1543	1945	2348	2881	3953	4768	
		FB			3.95	2.92	2.31	1.92	1.56	1.14	0.94	
	11kW 6P	T2 (N.m)		1082	1672	2263	2853	3444	4231			
		FB		4.16	2.69	1.99	1.58	1.31	1.06			
15kW 6P	T2 (N.m)	1206	1474	2278	3082	3886	4960					
	FB	3.73	3.05	1.98	1.46	1.16	0.91					
18.5kW 6P	T2 (N.m)	1489	1820	2813	3806	4803						
	FB	3.02	2.47	1.60	1.18	0.94						
4P n1=1450rpm	n2 (rpm)	161	132	85.3	63.0	50.0	41.4	33.7	24.6	20.4	16.7	
6P n1=960rpm	n2 (rpm)	107	87.3	56.5	41.7	33.1	27.4	22.3	16.3	13.5	11.0	

*X8型减速器许用扭矩TN2=4500N.m. *X8 type speed reducer allowable torque TN2=4500N.m

机型号 Model	P1	参数代号 Parameter code	精确传动比/Exact ratio									
			9	11	17	23	29	35	43	59	71	87
X9	11kW 4P	T2 (N.m)				1553	1958	2346	2898	3976	4785	5863
		FB				4.57	3.63	3.03	2.45	1.79	1.48	1.21
	15kW 4P	T2 (N.m)			1556	2118	2671	3223	3960	5428	6532	8004
		FB			4.56	3.35	2.66	2.20	1.79	1.31	1.09	0.89
	18.5kW 4P	T2 (N.m)			1931	2612	3294	3976	4880	6696	8058	
		FB			3.68	2.72	2.16	1.79	1.45	1.06	0.88	
	22kW 4P	T2 (N.m)		1485	2295	3105	3915	4725	5805	7965		
		FB		4.78	3.09	2.29	1.81	1.50	1.22	0.89		
	30kW 4P	T2 (N.m)	1656	2024	3128	4232	5336	6440	7912			
		FB	4.29	3.51	2.27	1.68	1.33	1.10	0.90			
	37kW 4P	T2 (N.m)	2043	2497	3859	5221	6583	7945				
		FB	3.48	2.84	1.84	1.36	1.08	0.89				
	7.5kW 6P	T2 (N.m)				1543	1945	2348	2881	3953	4768	5842
		FB				4.60	3.65	3.02	2.46	1.80	1.49	1.22
	11kW 6P	T2 (N.m)			1672	2263	2853	3444	4231	5805	6986	8568
		FB			4.25	3.14	2.49	2.06	1.68	1.22	1.02	0.83
	15kW 6P	T2 (N.m)		1474	2278	3082	3886	4960	5762	7906		
		FB		4.82	3.12	2.30	1.83	1.43	1.23	0.90		
	18.5kW 6P	T2 (N.m)	1489	1820	2813	3806	4803	5796	7121			
		FB	4.77	3.90	2.52	1.87	1.48	1.22	1.00			
	22kW 6P	T2 (N.m)	1771	2165	3346	4527	5709	6890	8428			
		FB	4.01	3.25	2.12	1.57	1.24	1.03	0.84			
	4P n1=1450rpm	n2 (rpm)	161	132	85.3	63.0	50.0	41.4	33.7	24.6	20.4	16.7
	6P n1=960rpm	n2 (rpm)	107	87.3	56.5	41.7	33.1	27.4	22.3	16.3	13.5	11.0

*X9型减速器许用扭矩TN2=7100N.m. *X9 type speed reducer allowable torque TN2=7100N.m

注 1. 表中P1表示配置电机额定功率, n1表示减速器输入转速, n2表示减速器输出转速, T2表示减速器输出扭矩, FB表示减速器使用系数。
 Note 1. P1 in the table denotes rated power of motor is furnished, n1 denotes input revolution of speed reducer, n2 denotes its output revolution, T2 denotes its output torque, and FB denotes its performance coefficient.

机型号 Model	P1	参数代号 Parameter code	精确传动比/Exact ratio									
			9	11	17	23	29	35	43	59	71	87
X10	11kW 4P	T2 (N.m)							2898	3976	4785	5863
		FB							4.14	3.02	2.51	2.05
	15kW 4P	T2 (N.m)					2671	3223	3960	5428	6532	8004
		FB					4.49	3.72	3.03	2.21	1.84	1.50
	18.5kW 4P	T2 (N.m)				2612	3294	3976	4880	6696	8058	11100
		FB				4.59	3.84	3.02	2.46	1.79	1.49	1.08
	22kW 4P	T2 (N.m)				3105	3915	4725	5805	7965	9585	11724
		FB				3.86	3.07	2.54	2.07	1.51	1.25	1.02
	30kW 4P	T2 (N.m)			3128	4232	5336	6440	7912	10865	13075	
		FB			3.84	2.84	2.25	1.86	1.52	1.10	0.92	
	37kW 4P	T2 (N.m)		2497	3859	5221	6583	7945	9761	13400		
		FB		4.81	3.11	2.30	1.82	1.51	1.23	0.90		
	45kW 4P	T2 (N.m)	2484	3036	4692	6348	8004	9660	11860			
		FB	4.83	3.95	2.88	1.89	1.50	1.24	1.01			
	7.5kW 6P	T2 (N.m)							2881	3953	4768	5842
		FB							4.17	3.04	2.52	2.05
	11kW 6P	T2 (N.m)					2553	3444	4231	5805	6986	8568
		FB					4.21	3.48	2.84	2.07	1.72	1.40
	15kW 6P	T2 (N.m)				3082	3886	4960	5762	7906	9514	11658
		FB				3.89	3.09	2.42	2.08	1.52	1.26	1.03
	18.5kW 6P	T2 (N.m)			2813	3806	4803	5796	7121	9764	11750	14410
		FB			4.27	3.15	2.50	2.07	1.69	1.23	1.02	0.83
	22kW 6P	T2 (N.m)			3346	4527	5709	6900	8428	11564	13985	
		FB			3.59	2.65	2.10	1.74	1.42	1.04	0.86	
30kW 6P	T2 (N.m)	2412	2948	4556	6164	7772	9380	11524				
	FB	4.98	4.07	2.63	1.95	1.54	1.28	1.04				
ZP n1=1450rpm	n2 (rpm)	161	132	86.3	63.0	50.0	41.4	33.7	24.6	20.4	16.7	
CP n1=960rpm	n2 (rpm)	107	87.3	56.5	41.7	33.1	27.4	22.3	16.3	13.5	11.0	

*X10型减速机许用扭矩TN2=12000N.m。 *X10 type speed reducer allowable torque TN2=12000N.m

注 1、表中P1表示配置电机额定功率，n1表示减速机输入转速，n2表示减速机输出转速，T2表示减速机输出扭矩，FB表示减速机使用系数，
 Note 1.P1 in the table denotes rated power of motor is furnished, n1 denotes input revolution of speed reducer, n2 denotes its output revolution, T2 denotes its output torque, and FB denotes its performance coefficient.

机型号 Model	P1	参数代号 Parameter code	精确传动比/Exact ratio										
			121 11×11	167 11×17	289 17×17	385 11×35	473 11×43	595 17×35	731 17×43	989 23×43	1225 35×35	1849 43×43	2537 43×17
XE42	0.25kW 4P	T2 (N.m)	164	255	394	525	845	812	997	1350	1672	2524	3891
		FB	3.05	1.96	1.27	0.86	0.78	0.62	0.50	0.37	0.30	0.20	0.13
	0.37kW 4P	T2 (N.m)	244	376	582	776	953	1200	1473	1978	2470	3728	5758
		FB	2.05	1.33	0.86	0.64	0.52	0.42	0.34	0.26	0.20	0.13	0.09
	0.55kW 4P	T2 (N.m)	363	560	867	1156	1420	1786	2194	2969	3672	5551	8549
		FB	1.38	0.89	0.58	0.43	0.35	0.28	0.23	0.17	0.14	0.09	0.06
	0.75kW 4P	T2 (N.m)	495	765	1183	1576	1936	2436	2992	4048	5015	7569	1084
		FB	1.01	0.65	0.42	0.32	0.26	0.21	0.17	0.12	0.10	0.07	0.46
	4P n1=1450rpm	n2 (rpm)	12.0	7.8	5.0	3.8	3.1	2.4	2.0	1.5	1.2	0.8	0.6

*XE42型减速机许用扭矩TN2=500N.m。 *XE42 type speed reducer allowable torque TN2=500N.m

机型号 Model	P1	参数代号 Parameter code	精确传动比/Exact ratio										
			121 11×11	167 11×17	289 17×17	385 11×35	473 11×43	595 17×35	731 17×43	989 23×43	1225 35×35	1849 43×43	2537 43×17
XE53	0.37kW 4P	T2 (N.m)	244	376	582	776	953	1200	1473	1978	2470	3728	5758
		FB	4.10	2.66	1.72	1.29	1.05	0.83	0.68	0.51	0.40	0.27	0.17
	0.55kW 4P	T2 (N.m)	363	560	867	1156	1420	1786	2194	2969	3672	5551	8549
		FB	2.75	1.79	1.15	0.87	0.70	0.56	0.46	0.34	0.27	0.18	0.12
	0.75kW 4P	T2 (N.m)	495	765	1183	1576	1936	2436	2992	4048	5015	7569	1084
		FB	2.02	1.31	0.85	0.63	0.52	0.41	0.33	0.25	0.20	0.13	0.92
	1.1kW 4P	T2 (N.m)	726	1122	1735	2601	3195	3572	4389	5939	7356	11103	14080
		FB	1.38	0.89	0.58	0.38	0.31	0.26	0.23	0.17	0.14	0.09	0.07
	4P n1=1450rpm	n2 (rpm)	12.0	7.8	5.0	3.8	3.1	2.4	2.0	1.5	1.2	0.8	0.6

*XE53型减速机许用扭矩TN2=1000N.m。 *XE 53 type speed reducer allowable torque TN2=1000N.m

机型号 Model	P1	参数代号 Parameter code	精确传动比/Exact ratio										
			121 11×11	167 11×17	289 17×17	385 11×35	473 11×43	595 17×35	731 17×43	989 23×43	1225 35×35	1849 43×43	2537 43×17
XE63	0.55kW 4P	T2 (N.m)	363	560	867	1156	1420	1786	2194	2969	3672	5551	8549
		FB	6.51	3.57	2.31	1.73	1.41	1.12	0.91	0.67	0.54	0.36	0.23
	0.75kW 4P	T2 (N.m)	495	765	1183	1576	1936	2436	2992	4048	5015	7569	1084
		FB	4.04	2.61	1.69	1.27	1.03	0.82	0.67	0.49	0.40	0.26	1.85
	1.1kW 4P	T2 (N.m)	726	1122	1735	2601	3195	3572	4389	5939	7356	11103	14080
		FB	2.75	1.78	1.15	0.77	0.63	0.56	0.46	0.34	0.27	0.18	0.14
	1.5kW 4P	T2 (N.m)	990	1531	2366	3152	3872	4872	5986	8099	10032	15141	23340
		FB	2.02	1.31	0.85	0.63	0.52	0.41	0.33	0.25	0.20	0.13	0.09
	4P n1=1450rpm	n2 (rpm)	12.0	7.8	5.0	3.8	3.1	2.4	2.0	1.5	1.2	0.8	0.6

*XE63型减速机许用扭矩TN2=2000N.m。 *XE63 type speed reducer allowable torque TN2=2000N.m

机型号 Model	P1	参数代号 Parameter code	精确传动比/Exact ratio										
			121 11×11	167 11×17	289 17×17	385 11×35	473 11×43	595 17×35	731 17×43	989 23×43	1225 35×35	1849 43×43	2537 43×17
XE74	0.75kW 4P	T2 (N.m)	495	765	1183	1576	1936	2436	2992	4048	5015	7569	1084
		FB	5.45	3.53	2.28	1.71	1.39	1.11	0.90	0.67	0.54	0.36	2.49
	1.1kW 4P	T2 (N.m)	726	1122	1735	2601	3195	3572	4389	5939	7356	11103	14080
		FB	3.72	2.41	1.56	1.04	0.85	0.76	0.62	0.45	0.37	0.24	0.19
	1.5kW 4P	T2 (N.m)	990	1531	2366	3152	3872	4872	5986	8099	10032	15141	23340
		FB	2.73	1.76	1.14	0.86	0.70	0.55	0.45	0.33	0.27	0.18	0.12
	2.2kW 4P	T2 (N.m)	1462	2244	3469	4622	5679	7144	8776	11875	14708	22201	30824
		FB	1.86	1.20	0.78	0.58	0.48	0.38	0.31	0.23	0.18	0.12	0.09
	4P n1=1450rpm	n2 (rpm)	12.0	7.8	5.0	3.8	3.1	2.4	2.0	1.5	1.2	0.8	0.6

*XE74型减速机许用扭矩TN2=2700N.m。 *XE74 type speed reducer allowable torque TN2=2700N.m

注 1. 表中P1表示配置电机额定功率, n1表示减速机输入转速, n2表示减速机输出转速, T2表示减速机输出扭矩, FB表示减速机使用系数。
 Note 1. P1 in the table denotes rated power of motor is furnished, n1 denotes input revolution of speed reducer, n2 denotes its output revolution, T2 denotes its output torque, and FB denotes its performance coefficient.

机型号 Model	P1	参数代号 Parameter code	精确传动比/Exact ratio											
			121 11×11	187 11×17	289 17×17	385 11×35	473 11×43	595 17×35	731 17×43	989 23×43	1225 35×35	1849 43×43	2537 43×17	3481 59×59
XE84	1.1kW 4P	T2 (N.m)	726	1122	1735	2601	3195	3572	4389	5939	7356	11103	14080	17387
		FB	6.20	4.01	2.59	1.73	1.41	1.26	1.03	0.76	0.61	0.41	0.32	0.26
	1.5kW 4P	T2 (N.m)	990	1531	2366	3152	3872	4872	5986	8099	10032	15141	23340	28822
		FB	4.55	2.94	1.90	1.43	1.16	0.92	0.75	0.56	0.45	0.30	0.19	0.16
	2.2 kW 4P	T2 (N.m)	1452	2244	3469	4622	5679	7144	8776	11875	14708	22201	30824	42294
		FB	3.10	2.01	1.30	0.97	0.79	0.63	0.51	0.38	0.31	0.20	0.15	0.11
	3.0kW 4P	T2 (N.m)	1979	3060	4732	6505	7745	9744	11972	16198	20064	30284	42020	57645
		FB	2.27	1.47	0.95	0.69	0.58	0.46	0.38	0.28	0.22	0.15	0.11	0.08
	4P n1=1450rpm	n2 (rpm)	12.0	7.8	5.0	3.8	3.1	2.4	2.0	1.5	1.2	0.8	0.6	0.4

*XE84型减速器许用扭矩TN2=4500N.m. *XE84 type speed reducer allowable torque TN2=4500N.m

机型号 Model	P1	参数代号 Parameter code	精确传动比/Exact ratio											
			121 11×11	187 11×17	289 17×17	385 11×35	473 11×43	595 17×35	731 17×43	989 23×43	1225 35×35	1849 43×43	2537 43×17	3481 59×59
XE85	1.5 kW 4P	T2 (N.m)	4.55	2.94	1.90	1.43	1.16	0.92	0.75	0.56	0.45	0.30	0.19	0.16
		FB	990	1531	2366	3152	3872	4872	5986	8099	10032	15141	23340	28822
	2.2kW 4P	T2 (N.m)	1452	2244	3469	4622	5679	7144	8776	11875	14708	22201	30824	42294
		FB	3.10	2.01	1.30	0.97	0.79	0.63	0.51	0.38	0.31	0.20	0.15	0.11
	3.0kW 4P	T2 (N.m)	1979	3060	4732	6505	7745	9744	11972	16198	20064	30284	42020	57645
		FB	2.27	1.47	0.95	0.69	0.58	0.46	0.38	0.28	0.22	0.15	0.11	0.08
	4.0kW 4P	T2 (N.m)	2641	4082	6309	8405	10326	12990	15960	21592	26744	40368	55940	76756
		FB	1.70	1.10	0.71	0.54	0.44	0.35	0.28	0.21	0.17	0.11	0.08	0.06
	4P n1=1450rpm	n2 (rpm)	12.0	7.8	5.0	3.8	3.1	2.4	2.0	1.5	1.2	0.8	0.6	0.4

*XE85型减速器许用扭矩TN2=4500N.m. *XE85 type speed reducer allowable torque TN2=4500N.m

机型号 Model	P1	参数代号 Parameter code	精确传动比/Exact ratio												
			121 11×11	187 11×17	289 17×17	385 11×35	473 11×43	595 17×35	731 17×43	989 23×43	1225 35×35	1849 43×43	2537 43×17	3481 59×59	5133 59×87
XE95	2.2kW 4P	T2 (N.m)	1452	2244	3469	4622	5679	7144	8776	11875	14708	22201	30824	42294	69295
		FB	4.89	3.16	2.05	1.54	1.25	0.99	0.81	0.60	0.48	0.32	0.23	0.17	0.10
	3.0kW 4P	T2 (N.m)	1979	3060	4732	6505	7745	9744	11972	16198	20064	30284	42020	57645	85000
		FB	3.59	2.32	1.50	1.09	0.92	0.73	0.59	0.44	0.35	0.23	0.17	0.12	0.08
	4.0kW 4P	T2 (N.m)	2641	4082	6309	8405	10326	12990	15960	21592	26744	40368	55940	76756	
		FB	2.69	1.74	1.13	0.84	0.69	0.55	0.44	0.33	0.27	0.18	0.13	0.09	
	5.5kW 4P	T2 (N.m)	3633	5614	8677	11560	14202	17865	21948	29696	36781	55518	76940		
		FB	1.95	1.26	0.82	0.61	0.50	0.40	0.32	0.24	0.19	0.13	0.09		
	4P n1=1450rpm	n2 (rpm)	12.0	7.8	5.0	3.8	3.1	2.4	2.0	1.5	1.2	0.8	0.6	0.4	0.3

*XE95型减速器许用扭矩TN2=7100N.m. *XE95 type speed reducer allowable torque TN2=7100N.m

机型号 Model	P1	参数代号 Parameter code	精确传动比/Exact ratio												
			121 11×11	187 11×17	289 17×17	385 11×35	473 11×43	595 17×35	731 17×43	989 23×43	1225 35×35	1849 43×43	2537 43×17	3481 59×59	5133 59×87
XE106	3.0kW 4P	T2 (N.m)	1979	3060	4732	6505	7745	9744	11972	16198	20064	30284	42020	57645	85000
		FB	6.06	3.92	2.54	1.84	1.55	1.23	1.00	0.74	0.60	0.40	0.29	0.21	0.14
	4.0kW 4P	T2 (N.m)	2641	4082	6309	8405	10326	12990	15960	21592	26744	40368	55940	76756	
		FB	4.54	2.94	1.90	1.43	1.16	0.92	0.75	0.56	0.45	0.30	0.21	0.16	
	5.5kW 4P	T2 (N.m)	3633	5614	8677	11560	14202	17865	21948	29696	36781	55518	76940		
		FB	3.30	2.14	1.38	1.04	0.84	0.67	0.55	0.40	0.33	0.22	0.16		
	7.5kW 4P	T2 (N.m)	4953	7656	11832	15782	19365	24360	29928	40492	50370	75703			
		FB	2.42	1.57	1.01	0.76	0.62	0.49	0.40	0.30	0.24	0.16			
	4P n1=1450rpm	n2 (rpm)	12.0	7.8	5.0	3.8	3.1	2.4	2.0	1.5	1.2	0.8	0.6	0.4	0.3

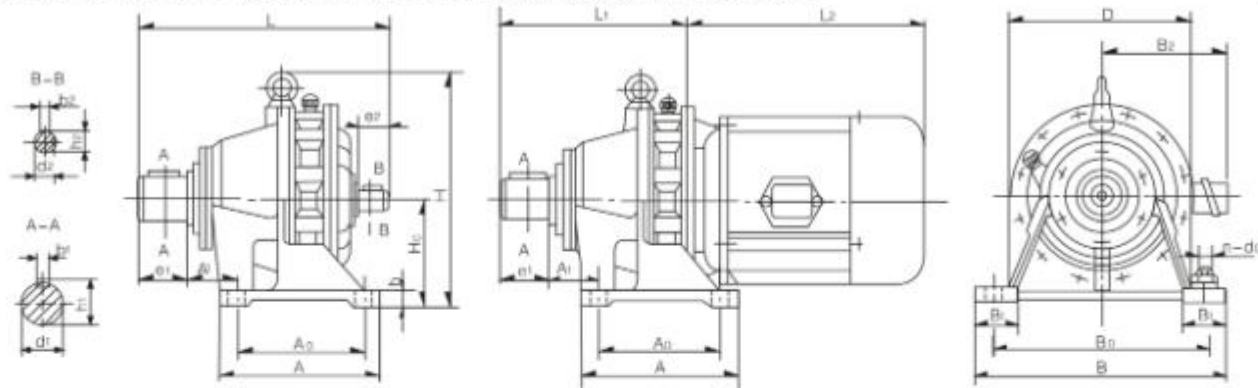
*XE106型减速器许用扭矩TN2=12000N.m. *XE106 type speed reducer allowable torque TN2=12000N.m

注 1. 表中P1表示配置电机额定功率, n1表示减速器输入转速, n2表示减速器输出转速, T2表示减速器输出扭矩, FB表示减速器使用系数,
 Note 1. P1 in the table denotes rated power of motor is furnished, n1 denotes input revolution of speed reducer, n2 denotes its output
 revolution, T2 denotes its output torque, and FB denotes its performance coefficient.

说明：“○”、“△”为已生产的标准型号产品；“x”、“x”、“x”为未生产、无标注处理范围。
 Instruction Models marked with "○" are standard products produced; models marked with "x" are not in production.

双级X系列摆线针轮行星减速机型号规格 Model Specifications of Double-stage X Series Cycloid Pin Planetary Reductor

-表4-(Table 4)



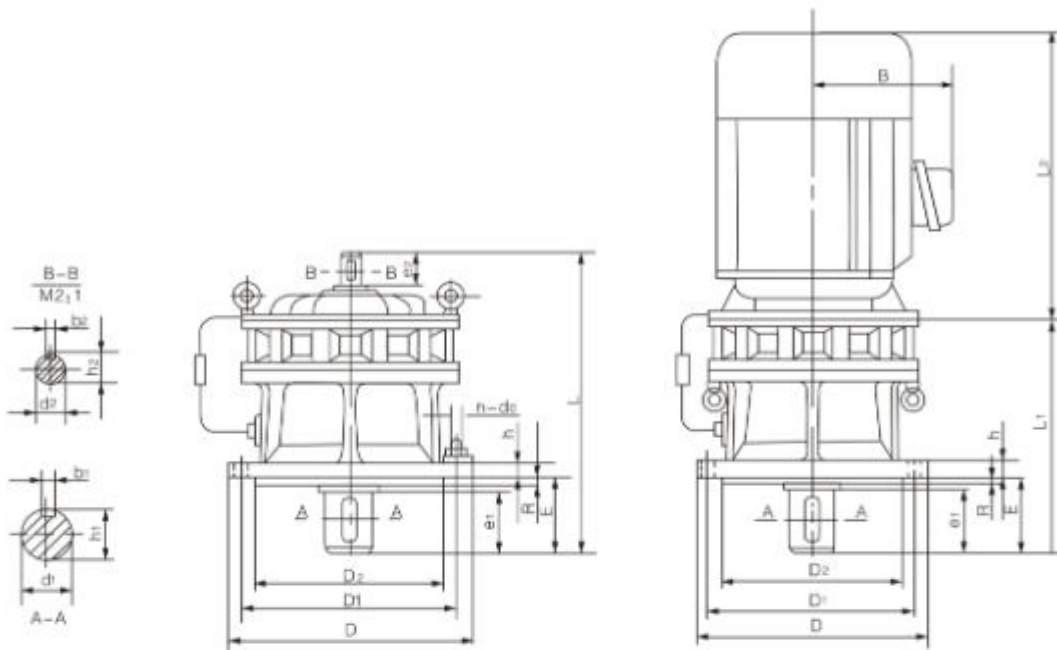
XWY (XW) 型单级减速机外形及安装尺寸 Appearance and Mounting Dimensions of XWY(XW) Single-stage Reductor

系列 机型号 Series and Model	中心高 Ho Cental Height	安装尺寸 (Mounting Dimensions)							轴伸联接尺寸 Dimensions of Shaft End Joint							外型尺寸 Dimensions								
		地脚螺钉 Foot Bolt							输出轴 Output Shaft				输入轴 Input Shaft			双轴型 Double-shaft Type			真联型 Flange Type					
		A ₁	A ₀	B ₁	B ₀	h	n	d ₀	d ₁	b ₁	h ₁	e ₁	d ₂	b ₂	h ₂	e ₂	H	B	D	A	L	L ₁	L ₂	B ₃
X2	100-0.5	67	90	45	180	15	4	M10	25	8	28.2	34	15	5	17.1	25	175	210	150	120	214	159		
X3	140-0.5	96	100	55	250	20	4	M14	35	10	38	55	18	6	20.58	35	240	290	215	190	260	192		
X4	150-0.5	95	145	65	290	22	4	M14	45	14	48.5	74	22	6	24.5	40	275	330	245	195	320	240		
X5	160-0.5	115	150	75	370	25	4	M14	55	16	59.6	91	30	8	33	45	356	420	300	260	416	310		
X6	200-0.5	36	275	75	380	30	4	M20	65	18	69.8	89	35	10	38	54	425	430	360	335	476	352		
X7	220-0.5	35	320	95	420	30	4	M20	80	22	85.8	110	40	12	43.5	65	460	470	370	380	529	390		
X8	250-0.5	35	380	120	480	35	4	M20	90	25	96	120	45	14	48.5	70	529	530	430	440	600	448		
X9	290-0.5	45	480	120	560	40	4	M24	100	28	107	140	50	14	53.5	80	619	620	510	560	722	552		
X10	325-0.5	80	500	120	630	40	4	M30	110	28	117	150	55	16	59	100	706	690	580	600	813	612		
X11	420-0.5	122	330x2	140	800	50	6	M30	130	32	137	202	70	20	74.5	120	883	880	710	810	1065	809		
X12	540-0.5	155	420x2	160	1050	60	6	M42	180	45	190	330	90	25	95	150	1163	1160	990	1040	1462	1154		
B1	120-0.5	69	110	55	240	15	4	13	35	10	38.5	57	18	5	20	36	220	280	200	160	265	192		
B2	140-0.5	68	150	65	280	20	4	13	45	14	49	75	22	6	24.5	40	255	320	230	200	320	240		
B3	160-0.5	78	200	75	340	25	4	17	55	16	60	91	30	8	33	45	356	390	300	250	415	310		
B4	200-0.5	94	260	75	380	25	4	21	65	18	70	89	35	10	38.5	54	420	430	340	320	477	350		
B15	140-0.5	95	100	55	200	20	4	13	35	10	38.5	58	18	5	20	28	284	290	215	190	282	216		
B18	150-0.5	95	145	60	290	22	4	18	45	14	49	82	22	6	24.5	36	318	330	245	195	352	276		
B22	160-0.5	113	150	75	370	25	4	18	55	16	60	82	30	8	33	58	360	410	300	238	422	316		
B27	200-0.5	35	270	80	380	30	4	22	70	20	76	150	35	10	38.5	58	435	430	360	335	490	383		
B33	250-0.5	35	380	85	480	35	4	26	90	24	97	130	45	14	49	82	542	530	435	440	629	464		
B39	290-0.5	35	480	90	560	40	4	28	100	28	108	165	50	16	55	82	619	620	510	560	736	556		

注：BJ系列同X系列 Note:BJ Series is same as X Series.

其使用条件说明如下：1. “●” 可以使用电机的全容量。但使用有制动器电机时，由于起停止频繁及制动转矩产生过负荷，应该选用“○”。
 Operation Conditions: 1. "●" Means full motor capacity is available. But if brake motor is in use, "○" shall be chosen, for frequently starting/stopping and brake torque can result in overload.
 2. "△" Means operation shall be limited within the torque (N.m)/output shaft requires with safety device mounted on output shaft to avoid too much force moment exerting to reductor.

按所配电机尺寸
 Following the Dimensions of Motor Equipped



XLY (XL) 型单级减速机外型及安装尺寸
Appearance and Mounting Dimensions of XLY(XL)Single-stage Reductor

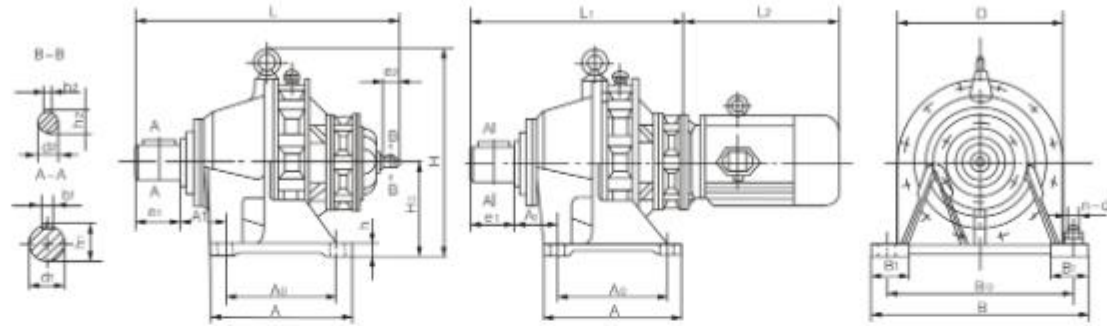
系列 机型号 Series and Model	安装尺寸 Mounting Dimensions					轴伸联接尺寸 Dimensions of Shaft End Joint								外型尺寸 Dimensions						
	D1	D2	E	h	R	安装螺钉 Foot Bolt		输出轴 Output Shaft			输入轴 Input Shaft			D	双轴型 Double- Shaft Type	直联型 Flange Type	L1	L2	B	
						n	d _f	d ₁	b ₁	h ₁	e ₁	d ₂	b ₂	h ₂	e ₂		L	L ₁	L ₂	B
X2	160	130	42	12	3	6	M6	25	8	28.2	34	15	5	17.1	25	180	212	159		
X3	200	170	50	15	4	6	M10	35	10	38	45	18	6	20.5	35	230	267	192		
X4	230	200	78	15	4	6	M10	45	14	48.5	63	22	6	24.5	40	260	324	240		
X5	310	270	91	20	4	6	M10	55	16	59.6	79	30	8	33	45	340	417	310		
X6	360	316	92	22	5	8	M14	65	18	69.8	80	35	10	38	54	400	478	352		
X7	390	345	111	22	5	8	M16	80	22	85.8	98	40	12	43.4	65	430	532	390		
X8	450	400	111	30	6	12	M16	90	25	96	110	45	14	48.5	70	490	602	448		
X9	520	455	171	35	8	12	M20	100	28	107	129	50	14	53.5	80	580	723	552		
X10	590	520	173	40	10	12	M20	110	28	117	140	55	16	59	100	650	814	612		
X11	800	680	210	50	10	12	M36	130	32	137	184	70	20	74.5	120	880	1065	809		
X12	1020	900	370	60	10	8	M36	180	45	190	320	90	25	95	150	1160	1148	1166		
B1	200	170	52	15	4	6	M11	35	10	38.6	44	18	5	20	36	230	227	192		
B2	230	200	81	15	4	6	M11	45	14	49.1	63	22	6	24.2	40	260	336	240		
B3	310	270	90	20	4	6	M11	55	16	60.1	79	30	8	33	45	340	426	310		
B4	360	316	91	22	5	8	M15	65	18	70.6	80	35	10	38.5	54	400	486	350		
B15	200	170	65	16	4	6	M13	35	10	38	58	18	6	20.5	28	230	282	216		
B18	230	200	89	20	4	6	M13	45	14	48.6	82	22	6	24.5	36	260	352	276		
B22	310	270	89	22	4	6	M13	55	16	59	82	30	8	33	58	340	422	316		
B27	360	316	114	26	5	8	M18	70	20	74.5	105	35	10	38	58	400	490	383		
B33	450	400	140	30	6	12	M22	90	25	95	130	45	14	48.5	82	490	629	464		
B39	520	455	177	35	8	12	M22	100	28	106	165	50	14	53.5	82	580	736	556		

按所配电机尺寸
Following the Dimensions of Motor Equipped

注: BJ系列同X系列
Note: BJ Series is same as X Series.

-表4-(Table 4)

双级X系列摆线针轮行星减速机型号规格 Model Specifications of Double-stage X Series Cycloid Pin Planetary Reductor
 XWEY (XWE) 型双级减速机外型及安装尺寸 Appearance and Mounting Dimensions of XWEY(XWE) Double-stage Reductor



系列 机型号 Series and Model	中心高 Cental Height	安装尺寸 Mounting Dimensions							轴伸联携尺寸 Dimensions of Shaft End Joint								外型尺寸 Dimensions					
		A ₁	A ₀	B ₁	B ₀	h	地脚螺钉 Foot Bolt		输出轴 Output Shaft				输入轴 Input Shaft				D	A	双轴型 Double- Shaft Type		直联型 Flange Type	
							a	d	d ₁	b ₁	h ₁	e ₁	d ₂	b ₂	h ₂	e ₂			H	B	L	L ₁
X32	140-0.5	96js15	100	55	250	20	4	M14	35m6	10	38	55	15js6	5	17	25	265	290	215	150	370	316
X42	150-0.5	95js15	145	65	290	22	4	M14	45m6	14	48.5	75	15js6	5	17	25	265	330	245	195	373	318
X43	150-0.5	95js15	145	65	290	22	4	M14	45m6	14	48.5	75	18js6	6	20.5	35	265	330	245	195	396	331
X53	160-0.5	115js15	150	75	370	25	4	M14	55m6	16	59.6	91	18js6	6	20.5	35	356	420	300	260	473	398
X63	200-0.5	36js15	275	75	380	30	4	M20	65m6	18	69.8	89	18js6	6	20.5	35	425	430	360	335	513	440
X64	200-0.5	36js15	275	75	380	30	4	M20	65m6	18	69.8	89	22js6	6	24.5	40	425	430	360	335	535	557
X74	220-0.5	35js15	320	95	420	30	4	M20	80m6	22	85.5	110	22js6	6	24.5	40	460	470	370	380	578	500
X84	250-0.5	35js15	380	120	480	35	4	M20	90m6	25	96	120	22js6	6	24.5	40	529	530	430	440	644	560
X85	250-0.5	35js15	380	120	480	35	4	M20	90m6	25	96	120	30js6	8	33	45	529	530	430	440	764	659
X95	290-0.5	45js15	480	120	560	40	4	M24	100m6	28	107	140	30js6	8	33	45	619	620	510	560	790	684
X106	325-0.5	80js15	500	120	630	40	4	M30	110m6	32	117	150	35k6	10	38	50	706	690	580	600	884	760
X117	420-0.5	122	330 × 2	140	800	50	6	M30	130m6	36	137	202	40k6	12	43	65	883	880	710	810	1106	968
B31	160-0.5	78	200	75	340	25	4	17	55	16	60	91	18	5	20	36	356	390	300	250	473	398
B41	200-0.5	94	260	75	380	25	4	21	65	18	70	89	18	5	20	36	420	430	340	320	513	440
B2215	160-0.5	113	150	75	370	25	4	18	55	16	56	82	18	6	20	28	360	410	300	238	473	407
B2715	200-0.5	35	270	80	380	30	4	22	70	20	74.5	105	18	6	20	28	435	430	360	335	540	470
B3322	250-0.5	35	380	85	480	35	4	26	90	25	95	130	30	8	33	58	542	530	435	440	706	601
B3922	290-0.5	35	480	90	560	40	4	26	100	28	106	165	30	8	33	58	619	620	510	560	796	691

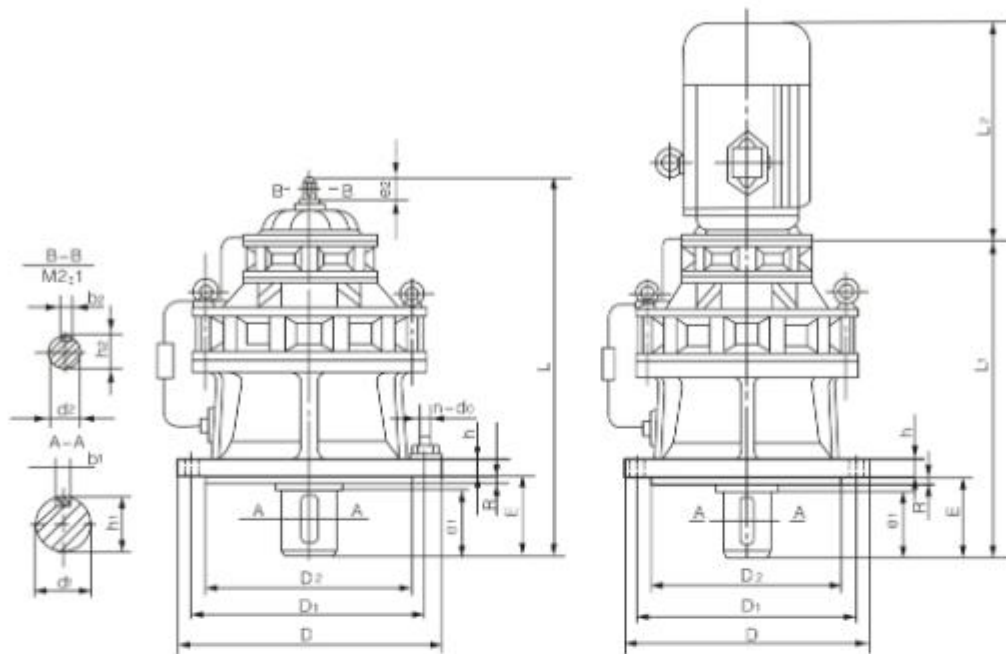
注: BJ系列同X系列
 Note: BJ Series is same as X Series.

其使用条件说明如下: 1. "●" 可以使用电机的全容量。但使用有制动器电机时, 由于起停止频繁及制动转矩产生过负荷, 应该选用 "○"。
 Operation Conditions: 1. "●" Means full motor capacity is available. But if brake motor is in use, "○" shall be chosen, for frequently starting/stopping and brake torque can result in overload.
 2. "△" 应在输出轴许用扭矩 (N·m) 范围内使用, 使用时应在输出轴上安全装置, 以防止给减速机过大的力矩。
 Means operation shall be limited within the torque (N·m) output shaft requires with safety device mounted on output shaft to avoid too much force moment exerting to reductor.

按照所配电机的尺寸
 Following the Dimensions of Motor Equipped

ATC GROUPS

THE BEST INDUSTRIAL EQUIPMENT



XLEY (XLE) 型双级减速机外型及安装尺寸
 Appearance and Mounting Dimensions of XLEY(XLE)Double-stage Reductor

系列 机型号 Series and Model	安装尺寸 Mounting Dimensions					轴伸联接尺寸 Dimensions of Shaft End Joint										外型尺寸 Dimensions				
	D ₁	D ₂	E	h	R	安装螺钉 Foot Bolt		输出轴 Output Shaft		输入轴 Input Shaft						D	双轴型 Double- shaft Type			直联型 Flange Type
						a	d ₀	d ₁	b ₁	h ₁	e ₁	d ₂	b ₂	h ₂	e ₂		L	L ₁	L ₂	
X32	200	170h9	50	15	4	6	M10	35k6	10	28	45	15js6	5	17	25	230	372	316		
X42	230	200h9	79	15	4	6	M10	45k6	14	48	63	15js6	5	17	25	260	374	318		
X43	230	200h9	79	15	4	6	M10	45k6	14	48	63	18js6	6	20.5	35	260	397	331		
X53	310	270h9	91	20	4	6	M10	55m6	16	59.6	79	18js6	6	20.5	35	340	473	400		
X63	360	316h9	92	22	5	8	M14	65m6	18	69.8	80	18js6	6	20.5	35	400	513	442		
X64	360	316h9	92	22	5	8	M14	65m6	18	69.8	80	22js6	6	24.5	40	400	535	559		
X74	390	345h9	111	22	5	8	M16	80m6	22	85.8	96	22js6	6	24.5	40	430	578	502		
X84	450	400h9	111	30	6	12	M16	90m6	25	96	110	22js6	6	24.5	40	490	644	560		
X85	450	400h9	111	30	6	12	M16	90m6	25	96	110	30js6	8	33	45	490	692	587		
X95	520	455h9	171	35	8	12	M20	100m6	28	107	129	30js6	8	33	45	580	790	688		
X106	590	520h9	173	40	10	12	M20	110m6	28	117	140	35k6	10	38	50	650	884	760		
X117	800	680	210	50	10	12	M36	130m6	32	137	184	40k6	12	43	65	880	1106	968		
B31	310	270	90	20	4	6	M11	55	16	60	79	18	5	20	36	340	473	400		
B41	360	316	91	22	5	8	M16	65	18	70.6	80	18	5	20	36	400	531	442		
B2215	310	270	89	22	4	6	M13	55	16	59	82	18	6	20.5	28	340	473	407		
B2715	360	316	114	26	5	8	M13	70	20	74.5	105	18	6	20.5	38	400	540	474		
B3322	450	400	140	30	6	12	M22	90	25	95	130	30	8	33	58	495	706	601		
B3922	520	455	177	35	8	12	M22	100	28	106	165	30	8	33	58	580	796	691		

4. 为选配所填
 Following the Dimensions of Motor Equipped

注: BJ系列同X系列
 Notes: BJ Series is same as X Series.