

Compact Guide Cylinder (AMGPM Series)



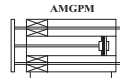
New

Ordering Code

AMGP M 20 x 30
 Model Bushing type Bore size Stroke

M : Brass bush type
 L : Linear bearing type

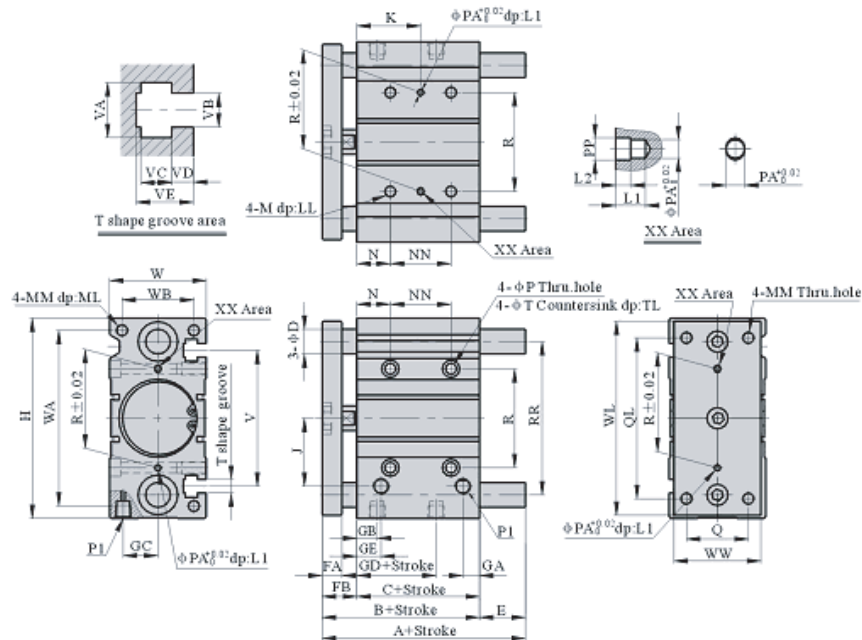
Symbol



Specifications

Bore size	mm	12	16	20	25	32	40	50	63
Port size	inch	M5 X 0.8	M5 X 0.8	1/8	1/8	1/8	1/8	1/4	1/4
Maximum stroke	mm	150	200	250	250	250	250	300	300
Media		Air							
Pressure range	kgf/cm ²	1.00~9.00							
Temperature range		0 ~ 70							
Magnet type		Standard with magnet							
Sensor switch type		CS1-G							

Dimensions



Bore size\Item	A				E				NN				K			
	<30	31~100	101~200	>200	<30	31~100	101~200	>200	<30	31~100	101~200	>200	<30	31~100	101~200	>200
Stroke	42	55	85	-	-4	13	43	-	20	40	110	-	15	25	60	-
12	42	55	85	-	-4	13	43	-	20	40	110	-	15	25	60	-
16	46	65	95	-	-3	19	49	-	24	44	110	-	17	27	60	-
20	53	80	104	122	-2	27	51	69	24	44	120	200	29	39	77	117
25	53.5	83.5	104.5	122.5	-1.5	28.5	51	68.5	24	44	120	200	29	39	77	117
Stroke	<50	51~100	101~200	>200	<50	51~100	101~200	>200	<40	41~100	101~200	>200	<40	41~100	101~200	>200
32	65	102	118	140	5.5	42.5	58.5	80.5	24	48	124	200	33	45	83	121
40	66	101	118	140	-1	36	52	74	24	48	124	200	34	46	84	122
50	76	118	134	161	4	46	62	89	24	48	124	200	36	48	86	124
63	77	118	134	161	-1	41	57	84	28	52	128	200	38	50	88	124

Bore size\Item	B	C	FA	FB	P1	GA	GB	GE	GC	GD	R	RR	N	P	T	TL	M	LL	D	J
12	42	29	8	13	M5x0.8	7.5	11	11	8	13	23	41	5	4.3	8	4.5	M5x0.8	10	6	18
16	46	33	8	13	M5x0.8	8	11	11	10	15	24	46	5	4.3	8	4.5	M5x0.8	10	8	19
20	53	37	10	16	1/8"	9	10.5	10.5	10.5	12.5	28	54	17	5.6	9.5	5.5	M6x1.0	12	10	25
25	53.5	37.5	10	16	1/8"	9	11.5	11.5	13.5	12.5	34	64	17	5.6	9.5	5.5	M6x1.0	12	12	28.5
32	59.5	37.5	12	22	1/8"	9	12.5	12.5	15	7	42	78	21	3.6	11	7.5	M8x1.25	16	16	34
40	66	44	12	22	1/8"	10	14	14	18	13	50	86	22	3.6	11	7.5	M8x1.25	16	16	38
50	72	44	16	28	1/4"	11	12	14	21.5	9	66	110	24	8.6	14	9	M10x1.5	20	20	47
63	77	49	16	28	1/4"	13.5	16.5	16.5	28	14	80	124	24	8.6	14	9	M10x1.5	20	20	55

Bore size\Item	WA	WB	W	H	QL	Q	WL	WW	MM	ML	PP	PA	L1	L2	V	VA	VB	VC	VD	VE
12	50	18	26	58	48	14	56	22	M4x0.7	10	3.5	3	6	3	37	7.4	4.4	3.7	2	6.2
16	56	22	30	64	54	16	62	25	M5x0.8	12	3.5	3	6	3	38	7.4	4.4	3.7	2.5	6.7
20	72	24	36	83	70	18	81	30	M5x0.8	13	3.5	3	6	3	44	8.4	5.4	4.5	2.8	7.8
25	82	30	42	93	78	26	91	38	M6x1.0	15	4.5	4	6	3	50	8.4	5.4	4.5	3	8.2
32	98	34	48	112	96	30	110	44	M8x1.25	20	4.5	4	6	3	63	10.5	6.5	5.5	3.5	9.5
40	106	40	54	120	104	30	118	44	M8x1.25	20	4.5	4	6	3	72	10.5	6.5	5.5	4	11
50	130	46	64	148	130	40	146	60	M10x1.5	22	6	5	8	4	92	13.5	8.5	7.5	4.5	13.5
63	142	58	78	162	130	50	158	70	M10x1.5	22	6	5	8	4	110	17.8	11	10	7	18.5