

Pneumatic Equipment

Free Mount Cylinder (Non Rotating Type)

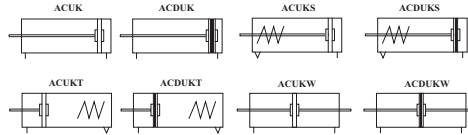
(ACUK ACUKW ACUKS ACUKT ACUKU ACUKV ACUKW ACUKX Series)

Ordering Code



- ACUK : Double acting
- ACUKU : Double acting (magnet)
- ACUKS : Single acting spring return
- ACUKV : Single acting spring return (magnet)
- ACUKT : Single acting spring extend
- ACUKU : Single acting spring extend (magnet)
- ACUKW : Double rod type
- ACUKX : Double rod type (magnet)

Symbol

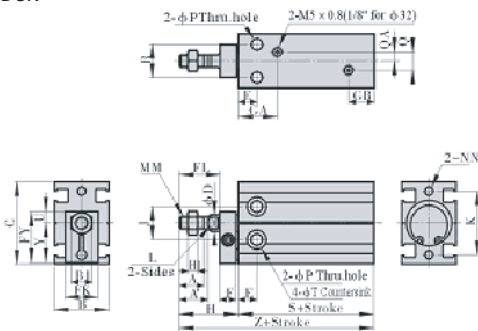


Specifications

Bore size	mm	10	16	20	25	32
Rod diameter	mm	4	6	8	10	12
Port size	inch	M5 X 0.8	M5 X 0.8	M5 X 0.8	M5 X 0.8	1/8
Standard stroke	mm	5~30	5~30	5~50	5~50	5~50
Maximum stroke	mm	50	50	50	50	50
Media		Air				
Action type		Double rod type, Double acting, Single acting spring return/extend				
Pressure range	kgf/cm ²	1.00~9.00				
Proof pressure	kgf/cm ²	10.50				
Temperature range		0 ~ 70				
Speed range	mm/sec	30~500				
Magnet type		Without magnet (ACUK series), With magnet (ACUKU series)				
Cushion type		Bumper				
Sensor switch type		Miniature (CS1-G)				

Dimensions

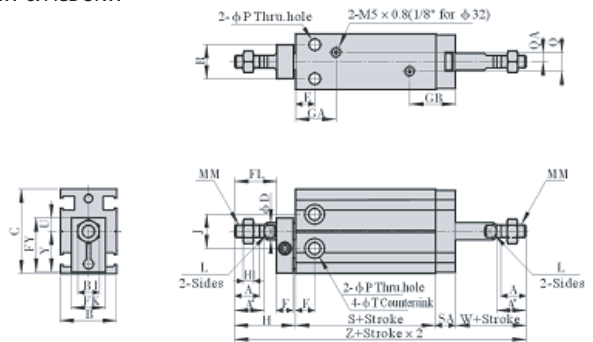
ACUK & ACUKU



Bore size/Item	A	A'	B	B1	C	D	E	F	FL	FK	FY	GA	GB	H	H1	J	K	L
10	10	11	16.5	7	24	4	7	8	12	12	16	15.5	10	21	2.4	11	18	-
16	11	12.5	20	8	32	6	7	8	17	13	20.5	14.5	10	26	4	14	25	5
20	12	14	26	10	40	8	9	8	20	16	26	19	11	29	5	16	30	6
25	15.5	18	32	12	50	10	10	10	22	20	33	21.5	8.5	33	6	20	38	8
32	19.5	22	40	17	62	12	11	12	29	24	40	23	12.5	42	6	24	48	10

Bore size/Item	Y	MM	Without magnet	With magnet	NN	P	Q	QA	R	T	U		
10	11.9	M4 x 0.7	36	57	36	57	M3 x 0.5Dp:5	3.2	-	-	9	6Dp:5.6	4.1
16	15.9	M5 x 0.8	30	56	40	66	M4 x 0.7Dp:5	4.5	3	1.5	1	7.6Dp:6.5	4.6
20	19.8	M6 x 1.0	36	65	46	75	M5 x 0.8Dp:7.5	5.5	6	4.5	16	9.3Dp:8	6.2
25	24.8	M8 x 1.25	40	73	50	83	M5 x 0.8Dp:8	5.5	12	6	20	9.3Dp:9	8.2
32	30.8	M10 x 1.25	42	84	52	94	M6 x 1.0Dp:9	6.6	13	4.5	24	11Dp:11.5	9.2

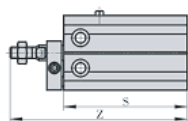
ACUKW & ACUKX



Bore size/Item	A	A'	B	B1	C	D	E	F	FL	FK	FY	GA	GB	H	H1	J	L
10	10	11	16.5	7	24	4	7	8	12	12	16	15.5	16	21	2.4	11	-
16	11	12.5	20	8	32	6	7	8	17	13	20.5	14.5	17.5	26	4	14	5
20	12	14	26	10	40	8	9	8	20	16	26	19	20	29	5	16	6
25	15.5	18	32	12	50	10	10	10	22	20	33	21.5	17.5	33	6	20	8
32	19.5	22	40	17	62	12	11	12	29	24	40	23	22.5	42	6	24	10

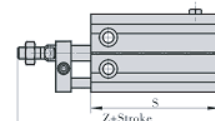
Bore size/Item	MM	P	Q	QA	R	SA	T	U	W	Y	Without magnet	With magnet
10	M4 x 0.7	3.2	-	-	9	6	6Dp:5.6	4.1	16	11.9	36	79
16	M5 x 0.8	4.5	3	1.5	12	7.5	7.6Dp:6.5	4.6	16	15.9	30	79.5
20	M6 x 1.0	5.5	6	4.5	16	9	9.3Dp:8	6.2	19	19.8	36	93
25	M8 x 1.25	5.5	12	6	20	9	9.3Dp:9	8.2	23	24.8	40	105
32	M10 x 1.25	6.6	13	4.5	24	10	11Dp:11.5	9.2	27	30.8	42	121

ACUKS & ACUKV



Bore size/Item	Without magnet								With magnet							
	S				Z				S				Z			
Stroke	5	10	15	20	5	10	15	20	5	10	15	20	5	10	15	20
10	46	51	61	66	67	72	82	87	46	51	61	66	67	72	82	87
16	45	50	65	70	71	76	91	96	55	60	75	80	81	86	101	106
20	51	56	71	76	80	85	100	105	61	66	81	86	90	95	110	115
25	55	60	75	80	88	93	108	113	65	70	85	90	98	103	118	123
32	57	62	77	82	99	104	119	124	67	72	87	92	109	114	129	134

ACUKT & ACUKU



Bore size/Item	Without magnet								With magnet							
	S				Z				S				Z			
Stroke	5	10	15	20	5	10	15	20	5	10	15	20	5	10	15	20
10	46	51	61	66	67	72	82	87	46	51	61	66	67	72	82	87
16	45	50	65	70	71	76	91	96	55	60	75	80	81	86	101	106
20	51	56	71	76	80	85	100	105	61	66	81	86	90	95	110	115
25	55	60	75	80	88	93	108	113	65	70	85	90	98	103	118	123
32	57	62	77	82	99	104	119	124	67	72	87	92	109	114	129	134