

Free Mount Cylinder
(ACU ACU ACUS ACDUS ACUT ACDUT ACUW ACDUW Series)

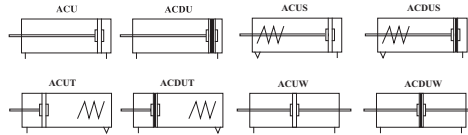


Ordering Code

ACU Model 20 Bore size x 30 Stroke

- ACU : Double acting
- ACDU : Double acting (magnet)
- ACUS : Single acting spring return
- ACDUS : Single acting spring return (magnet)
- ACUT : Single acting spring extend
- ACDUT : Single acting spring extend (magnet)
- ACUW : Double rod type
- ACDUW : Double rod type (magnet)

Symbol

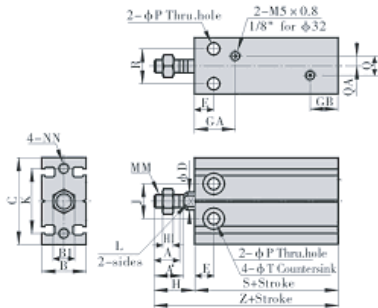


Specifications

Bore size	mm	10	16	20	25	32
Rod diameter	mm	4	6	8	10	12
Port size	inch	M5 X 0.8	M5 X 0.8	M5 X 0.8	M5 X 0.8	1/8
Standard stroke	mm	5~30	5~30	5~50	5~50	5~50
Maximum stroke	mm	50	50	50	50	50
Media		Air				
Action type		Double rod type, Double acting, Single acting spring return/extend				
Pressure range	kgf/cm ²	1.00~9.00				
Proof pressure	kgf/cm ²	10.50				
Temperature range		0 ~ 70				
Speed range	mm/sec	30~500				
Magnet type		Without magnet (ACU series), With magnet (ACDU series)				
Cushion type		Bumper				
Sensor switch type		Miniature (CS1-G)				

Dimensions

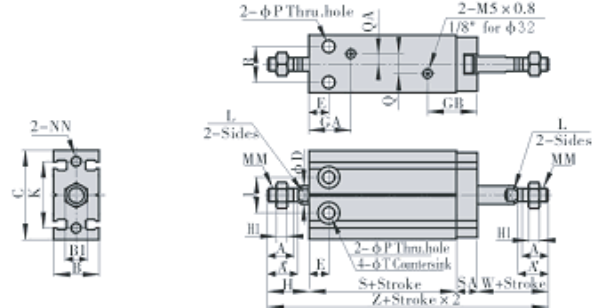
ACU & ACDU



Bore size/Item	A	A'	B	B1	C	D	E	GA	GB	H	H1	J	K	L	MM
10	10	11	16.5	7	24	4	7	15.5	10	16	2.4	11	18	-	M4 x 0.7
16	11	12.5	20	8	32	6	7	14.5	10	16	4	14	25	5	M5 x 0.8
20	12	14	26	10	40	8	9	19	11	19	5	16	30	6	M6 x 1.0
25	15.5	18	32	12	50	10	10	21.5	8.5	23	6	20	38	8	M8 x 1.25
32	19.5	22	40	17	62	12	11	23	12.5	27	6	24	48	10	M10 x 1.25

Bore size/Item	NN	P	Q	QA	R	T	Without magnet		With magnet	
							S	Z	S	Z
10	M3 x 0.5Dp:5	3.2	-	-	9	6Dp:5.6	36	52	36	52
16	M4 x 0.7Dp:5	4.5	3	1.5	12	7.6Dp:6.5	30	46	40	56
20	M5 x 0.8Dp:7.5	5.5	9	4.5	16	9.3Dp:8	36	55	46	65
25	M5 x 0.8Dp:8	5.5	12	6	20	9.3Dp:9	40	63	50	73
32	M6 x 1.0Dp:9	6.6	13	4.5	24	11Dp:11.5	42	69	52	79

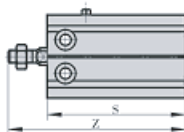
ACUW & ACDUW



Bore size/Item	A	A'	B	B1	C	D	E	GA	GB	H	H1	J	K	L	MM
10	10	11	16.5	7	24	4	7	15.5	16	16	2.4	11	18	-	M4 x 0.7
16	11	12.5	20	8	32	6	7	14.5	17.5	16	4	14	25	5	M5 x 0.8
20	12	14	26	10	40	8	9	19	20	19	5	16	30	6	M6 x 1.0
25	15.5	18	32	12	50	10	10	21.5	17.5	23	6	20	38	8	M8 x 1.25
32	19.5	22	40	17	62	12	11	23	22.5	27	6	24	48	10	M10 x 1.25

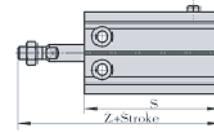
Bore size/Item	NN	P	Q	QA	R	SA	T	W	Without magnet		With magnet	
									S	Z	S	Z
10	M3 x 0.5Dp:5	3.2	-	-	9	6	6Dp:5.6	16	36	74	36	74
16	M4 x 0.7Dp:5	4.5	3	1.5	12	7.5	7.6Dp:6.5	16	30	69.5	40	79.5
20	M5 x 0.8Dp:7.5	5.5	9	4.5	16	9	9.3Dp:8	19	36	83	46	93
25	M5 x 0.8Dp:8	5.5	12	6	20	9	9.3Dp:9	23	40	95	50	105
32	M6 x 1.0Dp:9	6.6	13	4.5	24	10	11Dp:11.5	27	42	106	52	116

ACUS & ACDUS



Bore size/Item	Without magnet								Without magnet							
	S				Z				S				Z			
Stroke	5	10	15	20	5	10	15	20	5	10	15	20	5	10	15	20
10	46	51	61	66	62	67	77	82	46	51	61	66	62	67	77	82
16	45	50	65	70	61	66	81	86	55	60	75	80	71	76	91	96
20	51	56	71	76	70	75	90	95	61	66	81	86	80	85	100	105
25	55	60	75	80	78	83	98	103	65	70	85	90	88	93	108	113
32	57	62	77	82	84	89	104	109	67	72	87	92	94	99	114	119

ACUT & ACDUT



Bore size/Item	Without magnet								Without magnet							
	S				Z				S				Z			
Stroke	5	10	15	20	5	10	15	20	5	10	15	20	5	10	15	20
10	46	51	61	66	62	67	77	82	46	51	61	66	62	67	77	82
16	45	50	65	70	61	66	81	86	55	60	75	80	71	76	91	96
20	51	56	71	76	70	75	90	95	61	66	81	86	80	85	100	105
25	55	60	75	80	78	83	98	103	65	70	85	90	88	93	108	113
32	57	62	77	82	84	89	104	109	67	72	87	92	94	99	114	119