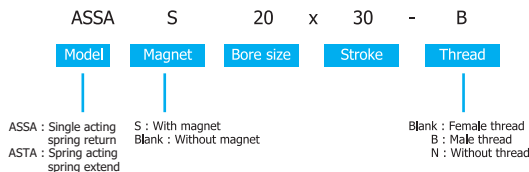


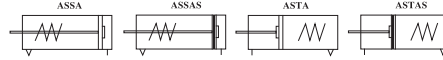
Compact Cylinder (ASSA ASTA Series)



Ordering Code



Symbol



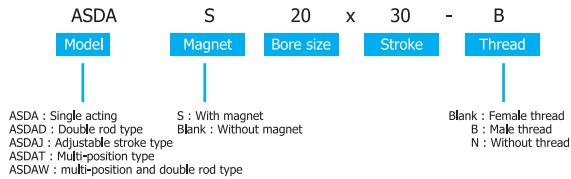
Specifications

Bore size	mm	12	16	20	25	32	40
Rod diameter	mm	6	6	8	10	12	16
Port size	inch	M5 X 0.8	M5 X 0.8	M5 X 0.8	M5 X 0.8	1/8	1/8
Standard stroke (per 5mm)	mm	5~30	5~30	5~30	5~30	5~30	5~30
Maximum stroke	mm	60	60	100	120	130	130
Media		Air					
ASSA action type		Single acting spring return					
ASTA action type		Spring acting spring extend					
Pressure range	kgf/cm ²	2.00 ~ 9.00					
Temperature range	°C	0 ~ 70					
Magnet type		Without magnet (Blank), With magnet (S)					
Cushion type		Bumper					
Rod type		Female thread (Blank), Male thread (B), No thread (N)					
Sensor switch type		Normal (CS1-J)					

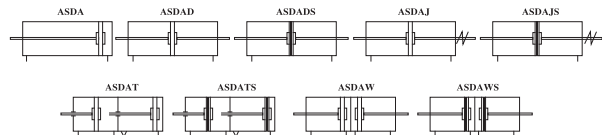
Compact Cylinder (ASDA ASDAD ASDAJ ASDAT ASDAW Series)



Ordering Code



Symbol



Specifications

Bore size	mm	12	16	20	25	32	40	50	63	80	100
Rod diameter	mm	6	6	8	10	12	16	20	20	25	32
Port size	inch	M5 X 0.8	M5 X 0.8	M5 X 0.8	M5 X 0.8	1/8	1/8	1/4	1/4	3/8	3/8
Maximum stroke	mm	60	60	100	120	130	130	130	130	130	130
ASDAJ adjusting stroke	mm	25,50,75									
Media		Air									
Action type		Double acting									
Pressure range	kgf/cm ²	1.00~9.00									
Temperature range	°C	0 ~ 70									
Magnet type		Without magnet (Blank), With magnet (S)									
Cushion type		Bumper									
Rod type		Female thread (Blank), Male thread (B), No thread (N)									
Sensor switch type		Normal (CS1-J)									

Other Available Series

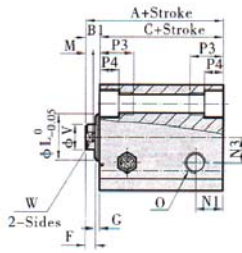
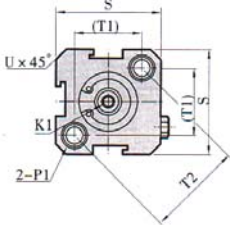
Description	Ordering Code	Description	Ordering Code
<p>ASDAD</p>	ASDAD - S 20 x 30 - B B : Piston rod type 30 : Stroke 20 : Bore size S : Magnet ASDAD : Double rod type	<p>ASDAT</p>	ASDAJ - S 20 x 30 x 10 - B B : Piston rod type 10 : Stroke1 30 : Stroke2 20 : Bore size S : Magnet ASDAJ : Multi-position type
<p>ASDAJ</p>	ASDAJ - S 20 x 30 x 10 - B B : Piston rod type 10 : Adjust stroke 30 : Stroke 20 : Bore size S : Magnet ASDAJ : Adjustable rod type	<p>ASDAW</p>	ASDAJ - S 20 x 30 x 10 - B B : Piston rod type 10 : Stroke1 30 : Stroke2 20 : Bore size S : Magnet ASDAJ : Multi-position and double rod type

Pneumatic Equipment

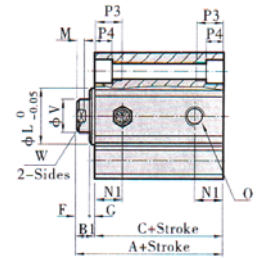
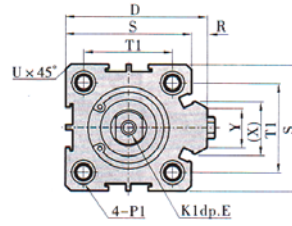
Dimensions

ASSA & ASSAS

Ø12~Ø16



Ø20~Ø40

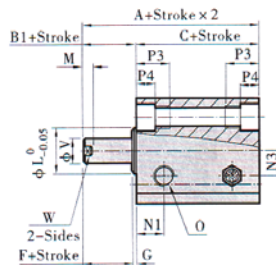
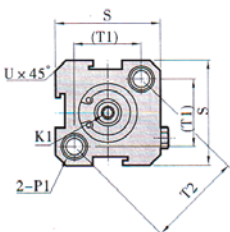


Type	Standard					With magnet					D	E	F	G	K1	L	M	N1	N3
	A		B1	C		A		B1	C										
	≤10	>10		≤10	>10	≤10	>10		≤10	>10									
12	32	42	5	27	37	42	52	5	37	47	-	6	4	1	M3 x 0.5	10.2	2.8	6.3	6
16	34	44	5.5	28.5	38.5	44	54	5.5	38.5	48.5	-	6	4	1.5	M3 x 0.5	11	2.8	7.3	6.5
20	35	45	5.5	29.5	39.5	45	55	5.5	39.5	49.5	36	8	4	1.5	M4 x 0.7	16	2.8	7.5	-
25	37	47	6	31	41	47	57	6	41	51	42	10	4	2	M5 x 0.8	17	2.8	8	-
32	41.5	51.5	7	34.5	44.5	51.5	61.5	7	44.5	54.5	50	12	4	3	M6 x 1	22	2.8	9	-
40	43	53	7	36	46	53	63	7	46	56	58.5	12	4	3	M8 x 1.25	28	2.8	10	-

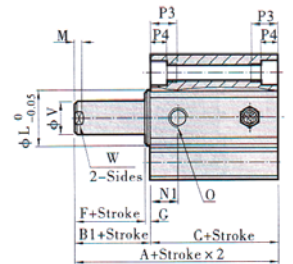
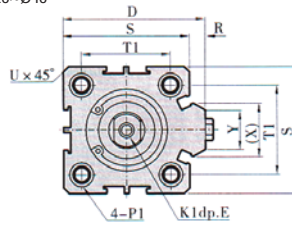
Bore size\Item	O	P1	P3	P4	R	S	T1	T2	U	V	W	X	Y
12	M5 x 0.8	Both sides:Ø6.5 Thread:M5 x 0.8 Thru.hole:Ø4.2	12	4.5	-	25	16.2	23	1.6	6	5	-	-
16	M5 x 0.8	Both sides:Ø6.5 Thread:M5 x 0.8 Thru.hole:Ø4.2	12	4.5	-	29	19.8	28	1.6	6	5	-	-
20	M5 x 0.8	Both sides:Ø6.5 Thread:M5 x 0.8 Thru.hole:Ø4.2	14	4.5	2	34	24	-	2.1	8	6	11.3	10
25	M5 x 0.8	Both sides:Ø8.2 Thread:M6 x 1.0 Thru.hole:Ø4.6	15	5.5	2	40	28	-	3.1	10	8	12	10
32	G 1/8	Both sides:Ø8.2 Thread:M6 x 1.0 Thru.hole:Ø4.6	16	5.5	6	44	34	-	2.15	12	10	18.3	15
40	G 1/8	Both sides:Ø10 Thread:M8 x 1.25 Thru.hole:Ø6.5	20	7.5	6.5	52	40	-	2.25	16	14	21.3	16

ASTA & ASTAS

Ø12~Ø16



Ø20~Ø40

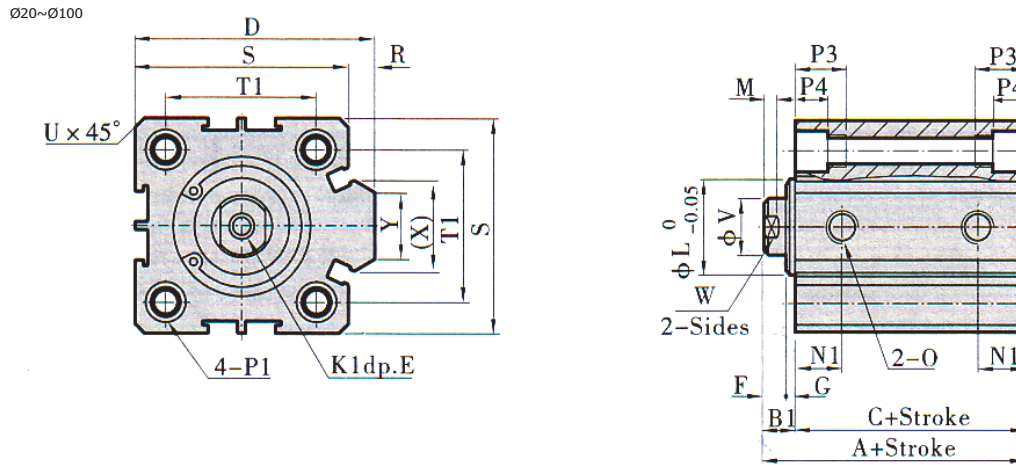
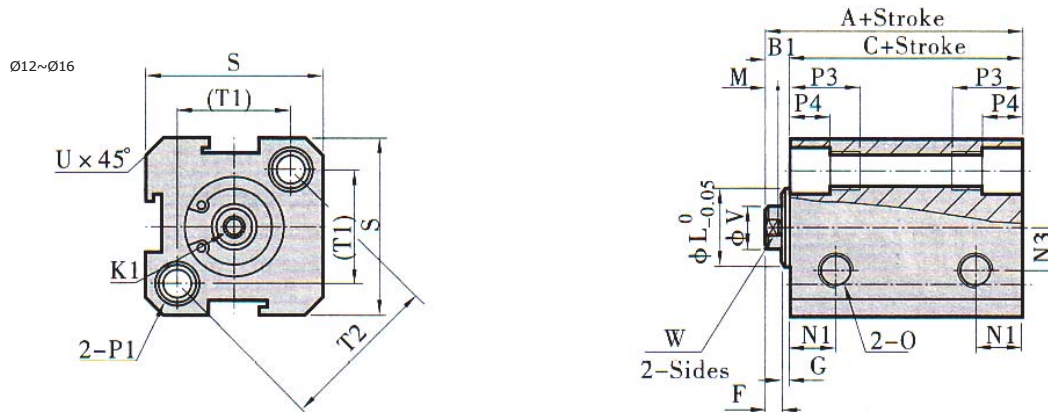


Type	Standard					With magnet					D	E	F	G	K1	L	M	N1	N3
	A		B1	C		A		B1	C										
	≤10	>10		≤10	>10	≤10	>10		≤10	>10									
12	32	42	5	27	37	42	52	5	37	47	-	6	4	1	M3 x 0.5	10.2	2.8	6.3	6
16	34	44	5.5	28.5	38.5	44	54	5.5	38.5	48.5	-	6	4	1.5	M3 x 0.5	11	2.8	7.3	6.5
20	35	45	5.5	29.5	39.5	45	55	5.5	39.5	49.5	36	8	4	1.5	M4 x 0.7	16	2.8	7.5	-
25	37	47	6	31	41	47	57	6	41	51	42	10	4	2	M5 x 0.8	17	2.8	8	-
32	41.5	51.5	7	34.5	44.5	51.5	61.5	7	44.5	54.5	50	12	4	3	M6 x 1	22	2.8	9	-
40	43	53	7	36	46	53	63	7	46	56	58.5	12	4	3	M8 x 1.25	28	2.8	10	-

Bore size\Item	O	P1	P3	P4	R	S	T1	T2	U	V	W	X	Y
12	M5 x 0.8	Both sides:Ø6.5 Thread:M5 x 0.8 Thru.hole:Ø4.2	12	4.5	-	25	16.2	23	1.6	6	5	-	-
16	M5 x 0.8	Both sides:Ø6.5 Thread:M5 x 0.8 Thru.hole:Ø4.2	12	4.5	-	29	19.8	28	1.6	6	5	-	-
20	M5 x 0.8	Both sides:Ø6.5 Thread:M5 x 0.8 Thru.hole:Ø4.2	14	4.5	2	34	24	-	2.1	8	6	11.3	10
25	M5 x 0.8	Both sides:Ø8.2 Thread:M6 x 1.0 Thru.hole:Ø4.6	15	5.5	2	40	28	-	3.1	10	8	12	10
32	G 1/8	Both sides:Ø8.2 Thread:M6 x 1.0 Thru.hole:Ø4.6	16	5.5	6	44	34	-	2.15	12	10	18.3	15
40	G 1/8	Both sides:Ø10 Thread:M8 x 1.25 Thru.hole:Ø6.5	20	7.5	6.5	52	40	-	2.25	16	14	21.3	16

Dimensions

ASDA & ASDAS



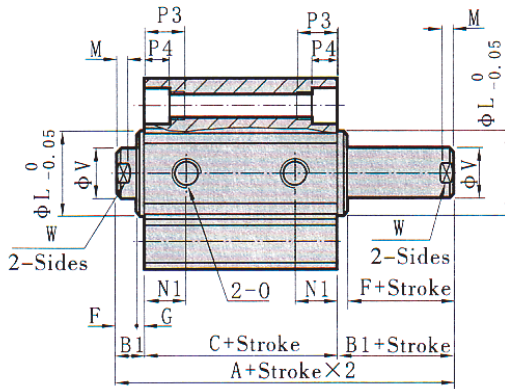
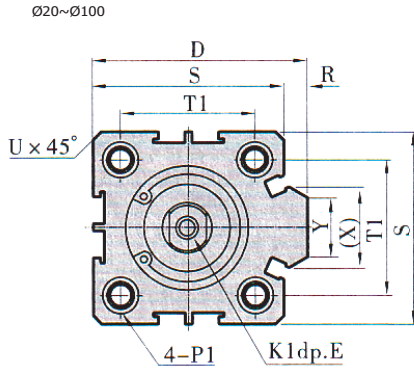
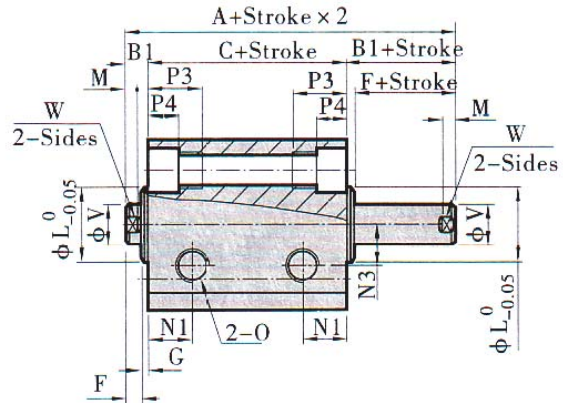
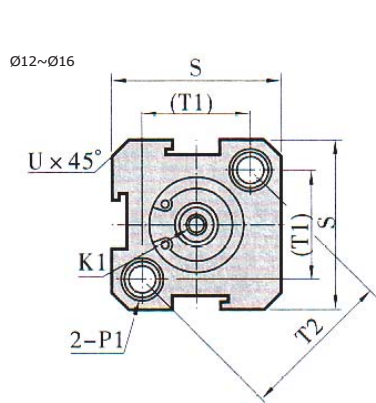
Type	Standard			With magnet			D	E		F	G	K1	L	M	N1	N3
	A	B1	C	A	B1	C		Stroke <10	Stroke >10							
12	22	5	17	32	5	27	-	6	4	1	M3 x 0.5	10.2	2.8	6.3	6	
16	24	5.5	18.5	34	5.5	28.5	-	6	4	1.5	M3 x 0.5	11	2.8	7.3	6.5	
20	25	5.5	19.5	35	5.5	29.5	36	8	4	1.5	M4 x 0.7	16	2.8	7.5	-	
25	27	6	21	37	6	31	42	10	4	2	M5 x 0.8	17	2.8	8	-	
32	31.5	7	24.5	41.5	7	34.5	50	12	4	3	M6 x 1	22	2.8	9	-	
40	33	7	26	43	7	36	58.5	12	4	3	M8 x 1.25	28	2.8	10	-	
50	37	9	28	47	9	38	71.5	15	5	4	M10 x 1.5	38	2.8	10.5	-	
63	41	9	32	51	9	42	84.5	15	5	4	M10 x 1.5	40	2.8	11.8	-	
80	52	11	41	62	11	51	104	15	6	5	M14 x 1.5	45	4	14.5	-	
100	63	12	51	73	12	61	124	18	7	5	M18 x 1.5	55	4	20.5	-	

Bore size\Item	O	P1	P3	P4	R	S	T1	T2	U	V	W	X	Y
12	M5 x 0.8	Both sides:Ø6.5 Thread:M5 x 0.8 Thru.hole:Ø4.2	12	4.5	-	25	16.2	23	1.6	6	5	-	-
16	M5 x 0.8	Both sides:Ø6.5 Thread:M5 x 0.8 Thru.hole:Ø4.2	12	4.5	-	29	19.8	28	1.6	6	5	-	-
20	M5 x 0.8	Both sides:Ø6.5 Thread:M5 x 0.8 Thru.hole:Ø4.2	14	4.5	2	34	24	-	2.1	8	6	11.3	10
25	M5 x 0.8	Both sides:Ø8.2 Thread:M6 x 1.0 Thru.hole:Ø4.6	15	5.5	2	40	28	-	3.1	10	8	12	10
32	G 1/8	Both sides:Ø8.2 Thread:M6 x 1.0 Thru.hole:Ø4.6	16	5.5	6	44	34	-	2.15	12	10	18.3	15
40	G 1/8	Both sides:Ø10 Thread:M8 x 1.25 Thru.hole:Ø6.5	20	7.5	6.5	52	40	-	2.25	16	14	21.3	16
50	G 1/4	Both sides:Ø10 Thread:M8 x 1.25 Thru.hole:Ø6.5	25	8.5	9.5	62	48	-	4.15	20	17	30	20
63	G 1/4	Both sides:Ø10 Thread:M8 x 1.25 Thru.hole:Ø6.5	25	8.5	9.5	75	60	-	3.15	20	17	28.7	20
80	G 3/8	Both sides:Ø14 Thread:M12 x 1.75 Thru.hole:Ø9.2	25	10.5	10	94	74	-	3.65	25	22	36	26
100	G 3/8	Both sides:Ø17.5 Thread:M14 x 2 Thru.hole:Ø11.3	30	13	10	114	90	-	3.65	32	27	35	26

Pneumatic Equipment

Dimensions

ASDAD & ASDADS



Type	Standard			With magnet			D	E		F	G	K1	L	M	N1	N3
	A	B1	C	A	B1	C		Stroke <10	Stroke >10							
12	27	5	17	37	5	27	-	6	4	1	M3 x 0.5	10.2	2.8	6.3	6	
16	29.5	5.5	18.5	39.5	5.5	28.5	-	6	4	1.5	M3 x 0.5	11	2.8	7.3	6.5	
20	30.5	5.5	19.5	40.5	5.5	29.5	36	8 (Stroke=5 is 6.5)	4	1.5	M4 x 0.7	16	2.8	7.5	-	
25	33	6	21	43	6	31	42	10 (Stroke=5 is 7)	4	2	M5 x 0.8	17	2.8	8	-	
32	38.5	7	24.5	48.5	7	34.5	50	8	4	3	M6 x 1	22	2.8	9	-	
40	40	7	26	50	7	36	58.5	9	4	3	M8 x 1.25	28	2.8	10	-	
50	46	9	28	56	9	38	71.5	11	5	4	M10 x 1.5	38	2.8	10.5	-	
63	50	9	32	60	9	42	84.5	11	5	4	M10 x 1.5	40	2.8	11.8	-	
80	63	11	41	73	11	51	104	14	6	5	M14 x 1.5	45	4	14.5	-	
100	75	12	51	85	12	61	124	18	7	5	M18 x 1.5	55	4	20.5	-	

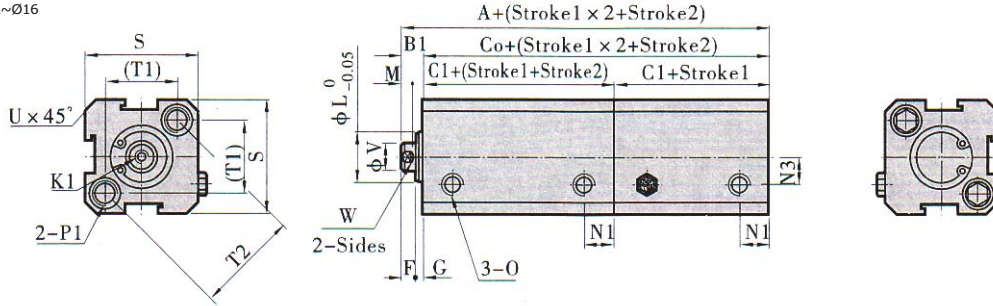
Bore size\Item	O	P1	P3	P4	R	S	T1	T2	U	V	W	X	Y
12	M5 x 0.8	Both sides:Ø6.5 Thread:M5 x 0.8 Thru.hole:Ø4.2	12	4.5	-	25	16.2	23	1.6	6	5	-	-
16	M5 x 0.8	Both sides:Ø6.5 Thread:M5 x 0.8 Thru.hole:Ø4.2	12	4.5	-	29	19.8	28	1.6	6	5	-	-
20	M5 x 0.8	Both sides:Ø6.5 Thread:M5 x 0.8 Thru.hole:Ø4.2	14	4.5	2	34	24	-	2.1	8	6	11.3	10
25	M5 x 0.8	Both sides:Ø8.2 Thread:M6 x 1.0 Thru.hole:Ø4.6	15	5.5	2	40	28	-	3.1	10	8	12	10
32	G 1/8	Both sides:Ø8.2 Thread:M6 x 1.0 Thru.hole:Ø4.6	16	5.5	6	44	34	-	2.15	12	10	18.3	15
40	G 1/8	Both sides:Ø10 Thread:M8 x 1.25 Thru.hole:Ø6.5	20	7.5	6.5	52	40	-	2.25	16	14	21.3	16
50	G 1/4	Both sides:Ø10 Thread:M8 x 1.25 Thru.hole:Ø6.5	25	8.5	9.5	62	48	-	4.15	20	17	30	20
63	G 1/4	Both sides:Ø10 Thread:M8 x 1.25 Thru.hole:Ø6.5	25	8.5	9.5	75	60	-	3.15	20	17	28.7	20
80	G 3/8	Both sides:Ø14 Thread:M12 x 1.75 Thru.hole:Ø9.2	25	10.5	10	94	74	-	3.65	25	22	36	26
100	G 3/8	Both sides:Ø17.5 Thread:M14 x 2 Thru.hole:Ø11.3	30	13	10	114	90	-	3.65	32	27	35	26

Pneumatic Equipment

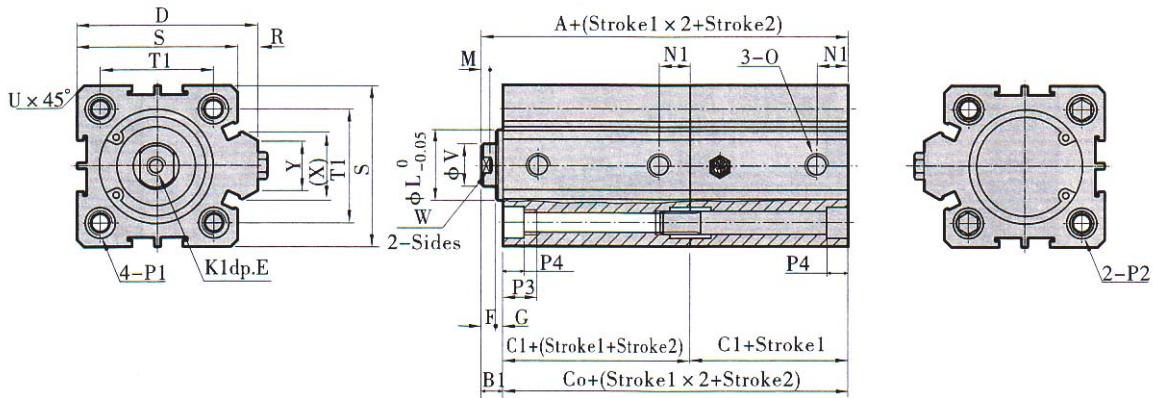
Dimensions

ASDAT & ASDATS

Ø12~Ø16



Ø20~Ø100



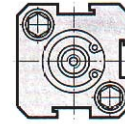
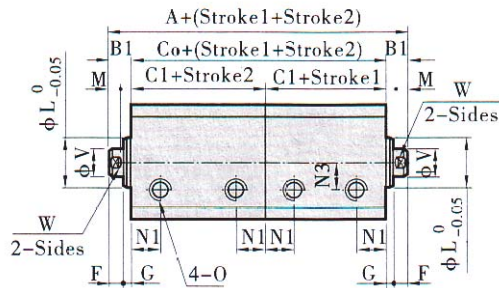
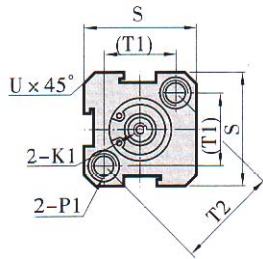
Type	Standard				With magnet				D	E		F	G	K1	L	M	N1	N3	O	W	X	Y
	A	B1	Co	C1	A	B1	Co	C1		Stroke <10	Stroke >10											
12	39	5	34	17	59	5	54	27	-	6	4	1	M3 x 0.5	10.2	2.8	6.3	6	M5 x 0.8	5	-	-	
16	42.5	5.5	37	18.5	62.5	5.5	57	28.5	-	6	4	1.5	M3 x 0.5	11	2.8	7.3	6.5	M5 x 0.8	5	-	-	
20	44.5	5.5	39	19.5	64.5	5.5	59	29.5	36	8	4	1.5	M4 x 0.7	16	2.8	7.5	-	M5 x 0.8	6	11.3	10	
25	48	6	42	21	68	6	62	31	42	10	4	2	M5 x 0.8	17	2.8	8	-	M5 x 0.8	8	12	10	
32	56	7	49	24.5	76	7	69	34.5	50	12	4	3	M6 x 1	22	2.8	9	-	G 1/8	10	18.3	15	
40	59	7	52	26	79	7	72	36	58.5	12	4	3	M8 x 1.25	28	2.8	10	-	G 1/8	14	21.3	16	
50	65	9	56	28	85	9	76	38	71.5	15	5	4	M10 x 1.5	38	2.8	10.5	-	G 1/4	17	30	20	
63	73	9	64	32	93	9	84	42	84.5	15	5	4	M10 x 1.5	40	2.8	11.8	-	G 1/4	17	28.7	20	
80	93	11	82	41	113	11	102	51	104	15	18	6	5	M14 x 1.5	45	4	14.5	-	G 3/8	22	36	26
100	114	12	102	51	134	12	122	61	124	18	20	7	5	M18 x 1.5	55	4	20.5	-	G 3/8	27	35	26

Bore size\Item	P1	P2	P3	P4	R	S	T1	T2	U	V
12	Both sides:Ø6.5 Thread:M5 x 0.8 Thru.hole:Ø4.2	-	12	4.5	-	25	16.2	23	1.6	6
16	Both sides:Ø6.5 Thread:M5 x 0.8 Thru.hole:Ø4.2	-	12	4.5	-	29	19.8	28	1.6	6
20	Both sides:Ø6.5 Thread:M5 x 0.8 Thru.hole:Ø4.2	Both sides:Ø6.5 Thru.hole:Ø5.2	14	4.5	2	34	24	-	2.1	8
25	Both sides:Ø8.2 Thread:M6 x 1.0 Thru.hole:Ø4.6	Both sides:Ø8.2 Thru.hole:Ø6.2	15	5.5	2	40	28	-	3.1	10
32	Both sides:Ø8.2 Thread:M6 x 1.0 Thru.hole:Ø4.6	Both sides:Ø8.2 Thru.hole:Ø6.2	16	5.5	6	44	34	-	2.15	12
40	Both sides:Ø10 Thread:M8 x 1.25 Thru.hole:Ø6.5	Both sides:Ø10 Thru.hole:Ø8.2	20	7.5	6.5	52	40	-	2.25	16
50	Both sides:Ø10 Thread:M8 x 1.25 Thru.hole:Ø6.5	Both sides:Ø11 Thru.hole:Ø8.5	25	8.5	9.5	62	48	-	4.15	20
63	Both sides:Ø10 Thread:M8 x 1.25 Thru.hole:Ø6.5	Both sides:Ø11 Thru.hole:Ø8.5	25	8.5	9.5	75	60	-	3.15	20
80	Both sides:Ø14 Thread:M12 x 1.75 Thru.hole:Ø9.2	Both sides:Ø14 Thru.hole:Ø12.3	25	10.5	10	94	74	-	3.65	25
100	Both sides:Ø17.5 Thread:M14 x 2 Thru.hole:Ø11.3	Both sides:Ø17.5 Thru.hole:Ø14.2	30	13	10	114	90	-	3.65	32

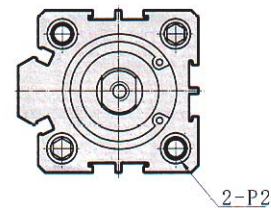
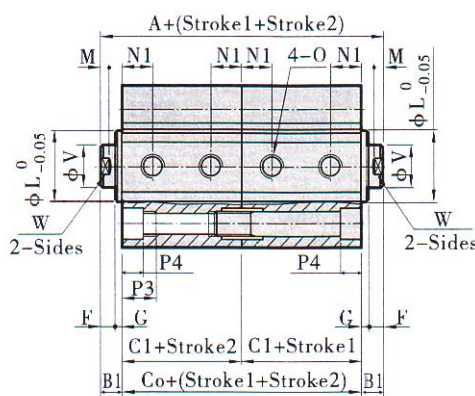
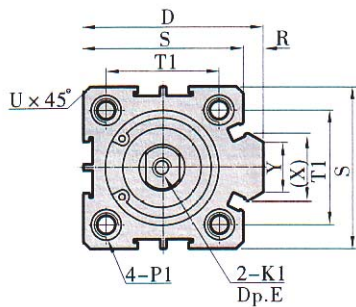
Dimensions

ASDAW & ASDAWS

Ø12~Ø16



Ø20~Ø100



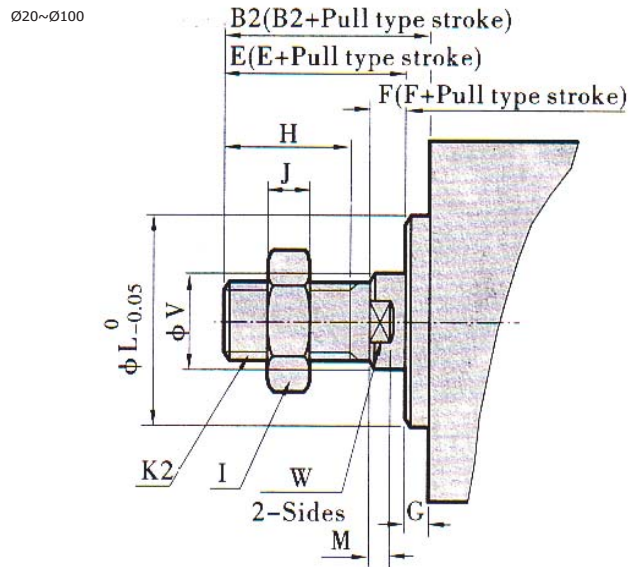
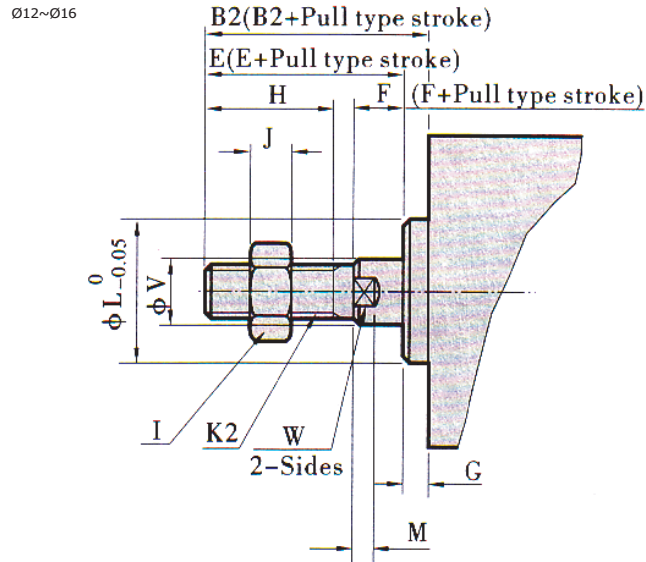
Type	Standard				With magnet				D	E		F	G	K1	L	M	N1	N3	O	W	X	Y
	A	B1	Co	C1	A	B1	Co	C1		Stroke <10	Stroke >10											
12	44	5	34	17	64	5	54	27	-	6	4	1	M3 x 0.5	10.2	2.8	6.3	6	M5 x 0.8	5	-	-	
16	48	5.5	37	18.5	68	5.5	57	28.5	-	6	4	1.5	M3 x 0.5	11	2.8	7.3	6.5	M5 x 0.8	5	-	-	
20	50	5.5	39	19.5	70	5.5	59	29.5	36	8	4	1.5	M4 x 0.7	16	2.8	7.5	-	M5 x 0.8	6	11.3	10	
25	54	6	42	21	74	6	62	31	42	10	4	2	M5 x 0.8	17	2.8	8	-	M5 x 0.8	8	12	10	
32	63	7	49	24.5	83	7	69	34.5	50	12	4	3	M6 x 1	22	2.8	9	-	G 1/8	10	18.3	15	
40	66	7	52	26	86	7	72	36	58.5	12	4	3	M8 x 1.25	28	2.8	10	-	G 1/8	14	21.3	16	
50	74	9	56	28	94	9	76	38	71.5	15	5	4	M10 x 1.5	38	2.8	10.5	-	G 1/4	17	30	20	
63	82	9	64	32	102	9	84	42	84.5	15	5	4	M10 x 1.5	40	2.8	11.8	-	G 1/4	17	28.7	20	
80	104	11	82	41	124	11	102	51	104	15	18	6	5	M14 x 1.5	45	4	14.5	-	G 3/8	22	36	26
100	126	12	102	51	146	12	122	61	124	18	20	7	5	M18 x 1.5	55	4	20.5	-	G 3/8	27	35	26

Bore size\Item	P1	P2	P3	P4	R	S	T1	T2	U	V
12	Both sides:Ø6.5 Thread:M5 x 0.8 Thru.hole:Ø4.2	-	12	4.5	-	25	16.2	23	1.6	6
16	Both sides:Ø6.5 Thread:M5 x 0.8 Thru.hole:Ø4.2	-	12	4.5	-	29	19.8	28	1.6	6
20	Both sides:Ø6.5 Thread:M5 x 0.8 Thru.hole:Ø4.2	Both sides:Ø6.5 Thru.hole:Ø5.2	14	4.5	2	34	24	-	2.1	8
25	Both sides:Ø8.2 Thread:M6 x 1.0 Thru.hole:Ø4.6	Both sides:Ø8.2 Thru.hole:Ø6.2	15	5.5	2	40	28	-	3.1	10
32	Both sides:Ø8.2 Thread:M6 x 1.0 Thru.hole:Ø4.6	Both sides:Ø8.2 Thru.hole:Ø6.2	16	5.5	6	44	34	-	2.15	12
40	Both sides:Ø10 Thread:M8 x 1.25 Thru.hole:Ø6.5	Both sides:Ø10 Thru.hole:Ø8.2	20	7.5	6.5	52	40	-	2.25	16
50	Both sides:Ø10 Thread:M8 x 1.25 Thru.hole:Ø6.5	Both sides:Ø11 Thru.hole:Ø8.5	25	8.5	9.5	62	48	-	4.15	20
63	Both sides:Ø10 Thread:M8 x 1.25 Thru.hole:Ø6.5	Both sides:Ø11 Thru.hole:Ø8.5	25	8.5	9.5	75	60	-	3.15	20
80	Both sides:Ø14 Thread:M12 x 1.75 Thru.hole:Ø9.2	Both sides:Ø14 Thru.hole:Ø12.3	25	10.5	10	94	74	-	3.65	25
100	Both sides:Ø17.5 Thread:M14 x 2 Thru.hole:Ø11.3	Both sides:Ø17.5 Thru.hole:Ø14.2	30	13	10	114	90	-	3.65	32

Pneumatic Equipment

■ Dimensions

male thread type



Bore size\Item	B2	E	F	G	H	I	J	K2	L	M	V	W
12	17	16	4	1	10	8	4	M5 x 0.8	10.2	2.8	6	5
16	17.5	16	4	1.5	10	8	4	M5 x 0.8	11	2.8	6	5
20	20.5	19	4	1.5	13	10	5	M6 x 1.0	16	2.8	8	6
25	23	21	4	2	15	12	6	M8 x 1.25	17	2.8	10	8
32	25	22	4	3	15	17	6	M10 x 1.25	22	2.8	12	10
40	35	32	4	3	25	19	8	M14 x 1.5	28	2.8	16	14
50	37	33	5	4	25	27	11	M18 x 1.5	38	2.8	20	17
63	37	33	5	4	25	27	11	M18 x 1.5	40	2.8	20	17
80	44	39	6	5	30	32	13	M22 x 1.5	45	4	25	22
100	50	45	7	5	35	36	13	M26 x 1.5	55	4	32	27